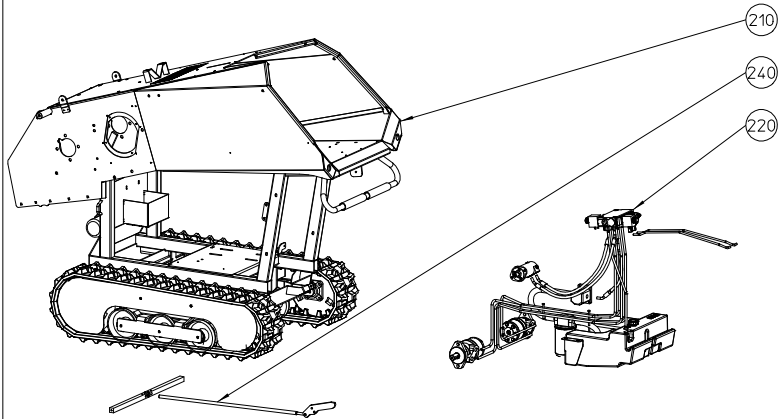
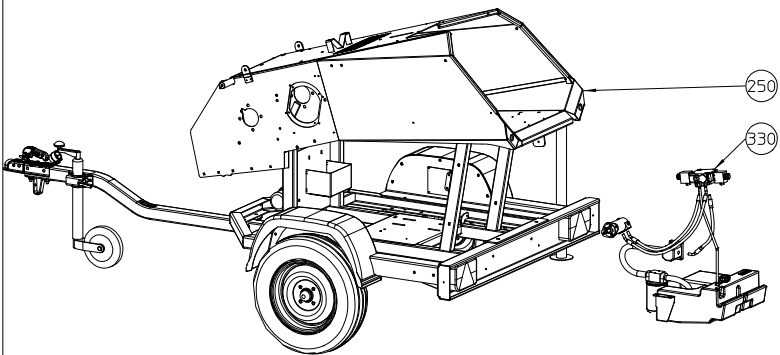


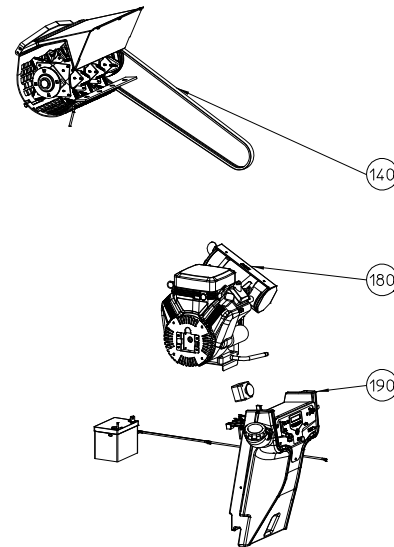
SUPER PROF -- ON WHEELS



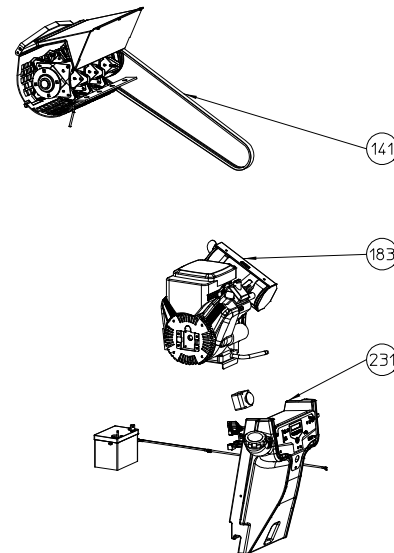
SUPER PROF -- CROSS COUNTRY



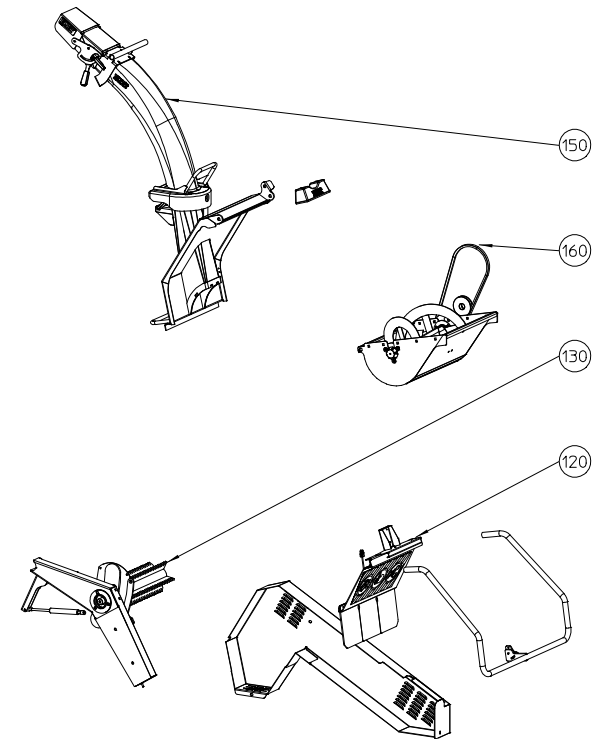
SUPER PROF -- ON ROAD



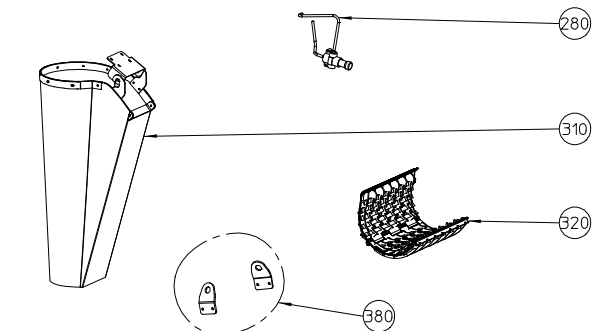
SUPER PROF -- 18 HP B&S Vanguard



SUPER PROF -- 23 HP B&S EFI + ECO EYE



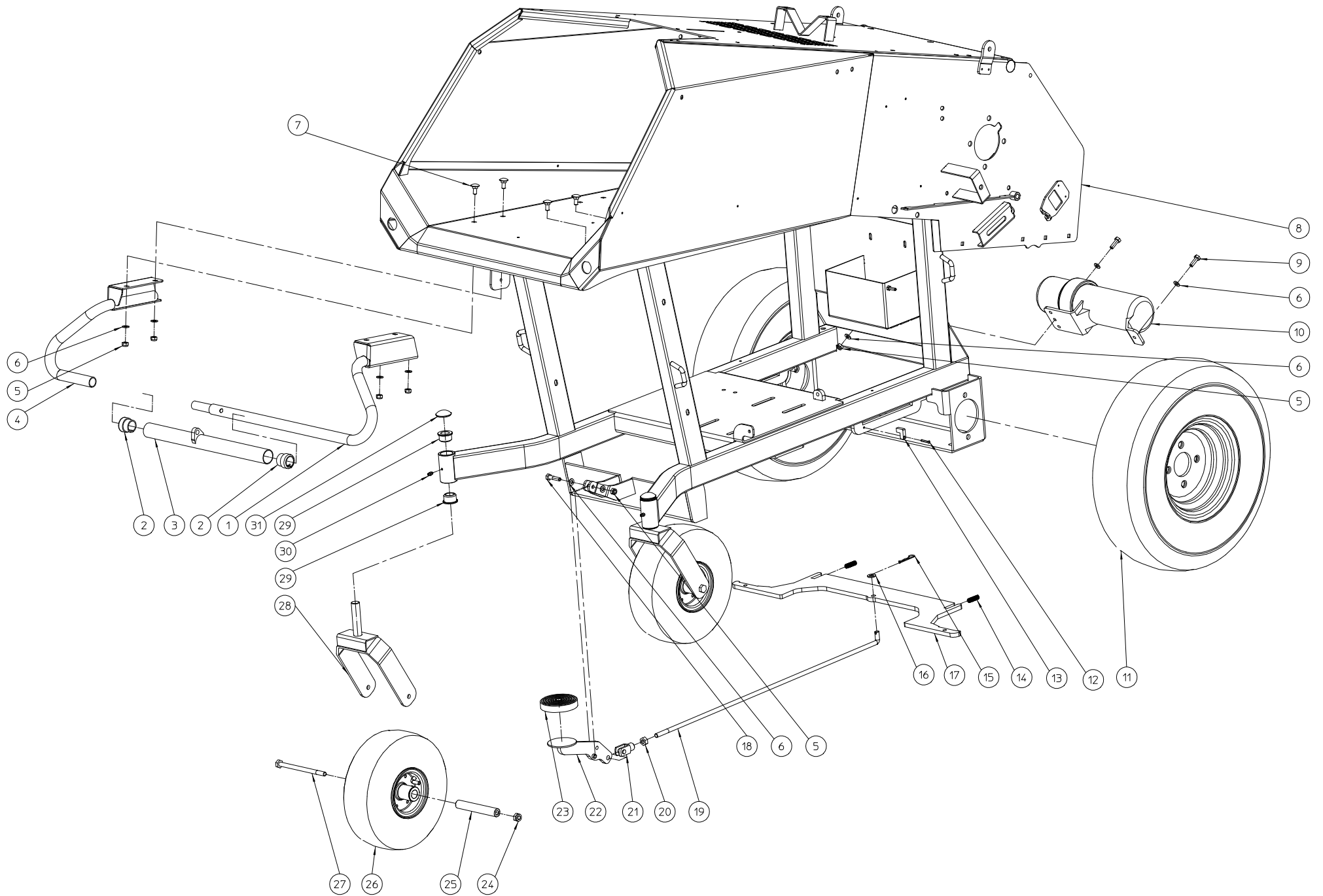
SUPER PROF



SUPER PROF -- OPTIONS

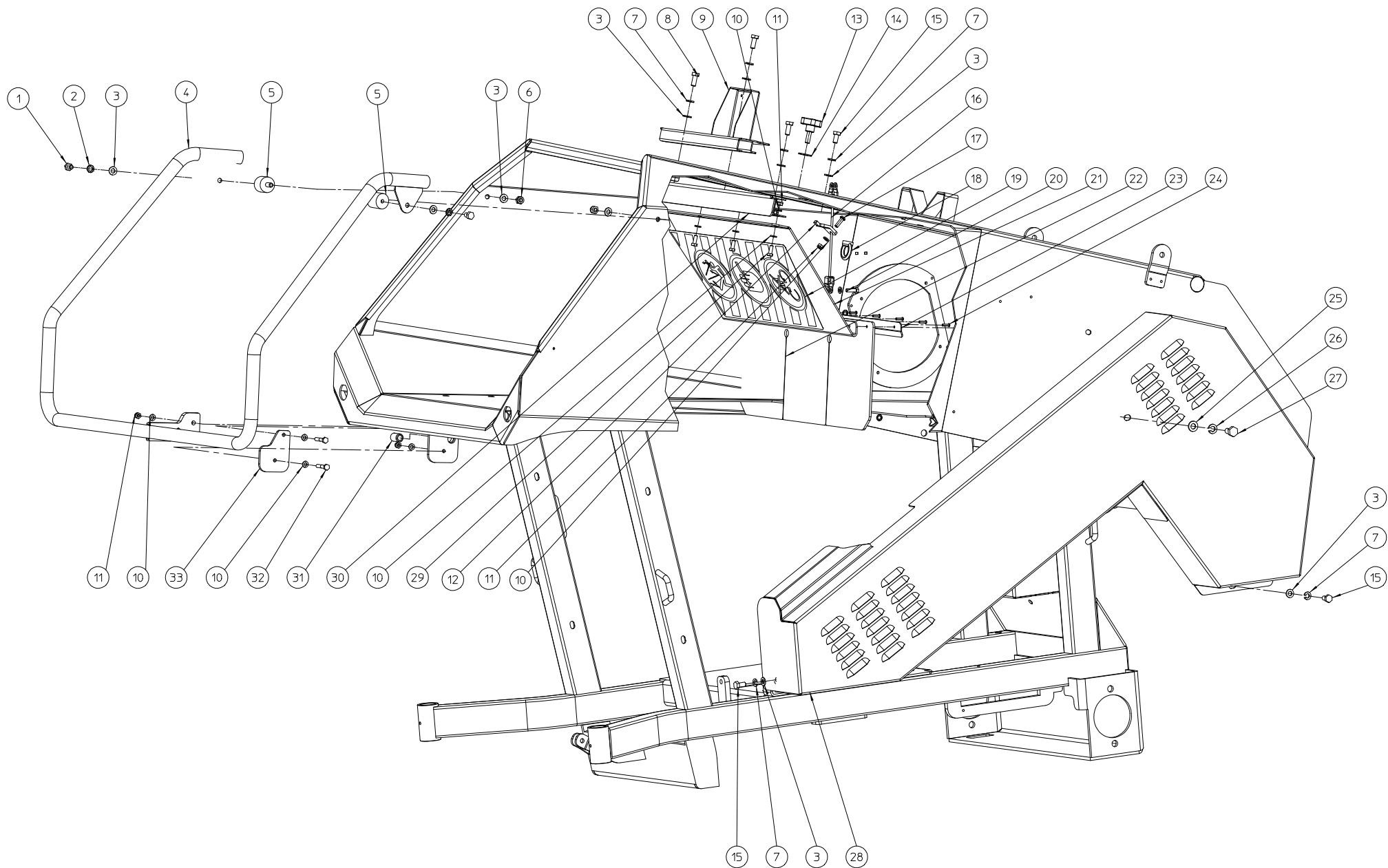
ELIET SP 2015 -- GENERAL						
NO	MMA 01 073 100	REV	5	DATE	2019/12/13	

#	Order nr	article description	quantity
110	MMA 01 073 110	wheel assembly - on wheels	1
120	MMA 01 073 120	security protection	1
130	MMA 01 073 130	feeder	1
140	MMA 01 073 140	rotor - super prof 2015	1
141	MMA 01 073 141	rotor - super prof max	1
150	MMA 01 073 150	ejection assembly	1
160	MMA 01 073 160	axelero	1
180	MMA 01 073 180	engine b&s 18pk - sp 2015	1
183	MMA 01 073 183	engine b&s 23pk - sp 2015 max efi	1
190	MMA 01 073 190	electrical system without eco-eye	1
200	MMA 01 073 200	hydraulic system	1
210	MMA 01 073 210	track assembly - cross country	1
220	MMA 01 073 220	hydraulics - cross country	1
231	MMA 01 073 231	electrical system with eco-eye & efi	1
240	MMA 01 073 240	break system - cross country	1
250	MMA 01 073 250	trailer	1
280	MMA 01 073 280	feeder speed regulator	1
310	MMA 01 073 310	collecting bag	1
320	MMA 01 073 320	calibration screens	1
330	MMA 01 073 330	hydraulics - on road	1
380	MA 029 001 004		1



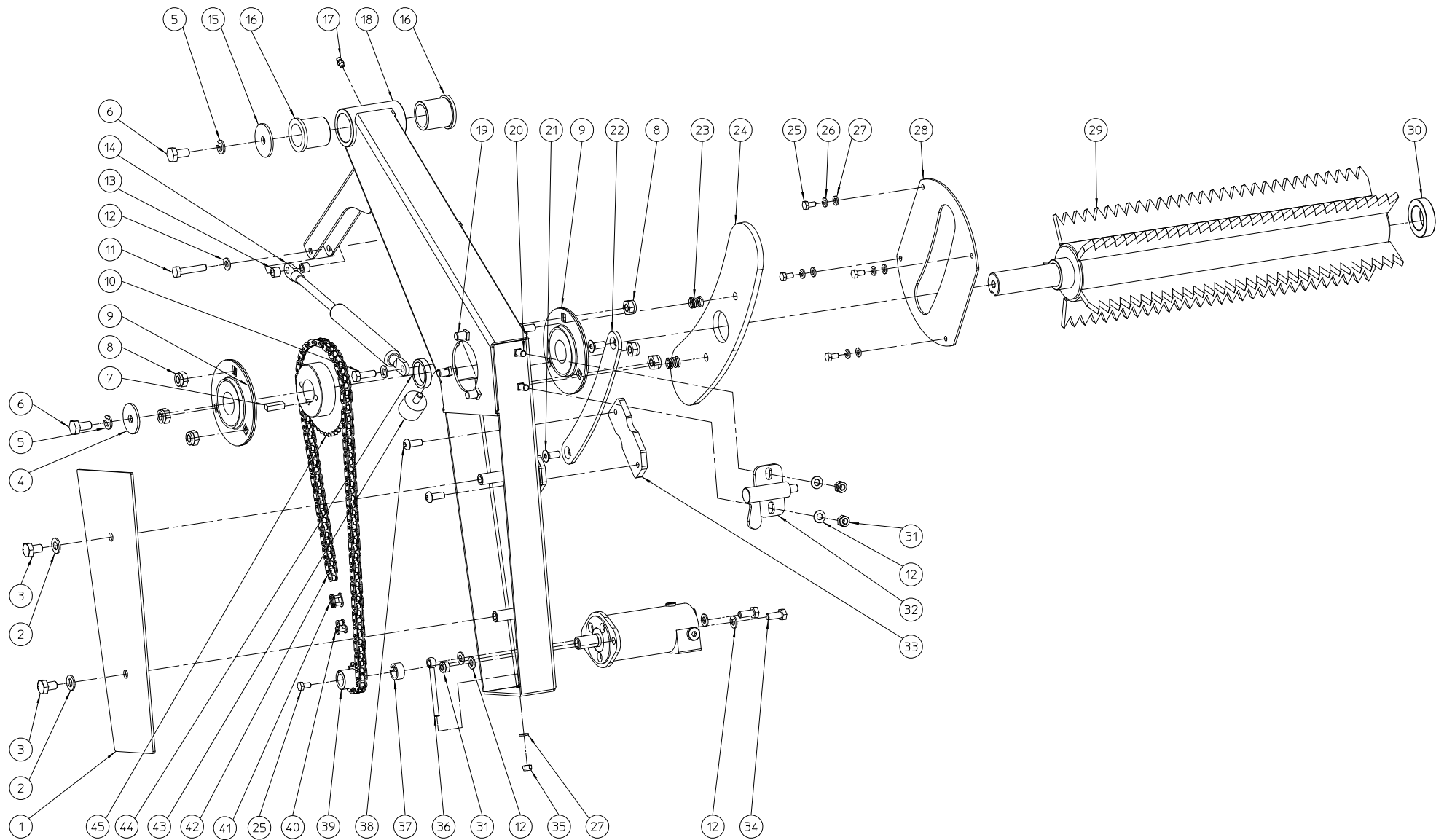
ELIET SP 2015 - CHASSIS - TRACTION						
NO	MMA 01 073 110	REV	2	DATE	2019/06/11	

#	Order nr	article description	quantity
1	MPA 01 073 410	steer right	1
2	BR 910 000 010	nylon bushing with collar (25/30/34x30/15)	2
3	MPA 01 073 430	command tube	1
4	MPA 01 073 420	steer left	1
5	BS 502 000 800	self locking nut m8 din 985	7
6	BS 531 000 800	washer m8 din 125	10
7	BS 554 100 820	bolt m8x20 din 603	4
8	MPA 01 073 100	chassis	1
9	BS 512 000 825	bolt m8x25 din 933	2
10	BQ 790 010 020	document holder 320 mm	1
11	BW 054 060 000	rear wheel 6,00-9 6pr	2
12	BB 221 004 250	pop plug steel 3.9x25 din 7337 a	2
13	BR 910 000 050	nylon touch block	2
14	BV 907 000 020	spring 10x1x60	2
15	BB 040 102 040	hairpin cotter 2mm din 11024	1
16	BS 531 001 000	washer m10 din 125	1
17	MPA 01 073 540	brake plate	1
18	BS 511 000 835	bolt m8x35 din 931	1
19	MPA 01 073 220	brake rod	1
20	BS 501 001 000	nut m10 din 934	1
21	BS 556 001 000	fork m10x20 din 71752	1
22	MPA 01 070 130	brake pedal	1
23	BR 900 000 110	rubber socks dia 90x18mm	1
24	BS 502 001 000	self locking nut m10 din 985	2
25	MPA 01 070 390	front wheel axle	2
26	BW 029 020 100	front wheel 4.00-4	2
27	BS 511 001 055	bolt m10x150 din 931	2
28	MPA 01 073 210	wheel fork	2
29	BR 112 201 910	nylon bushing with collar (20.5/30/35x19/2.5)	4
30	BY 100 106 100	grease fitting m6 din 71412	2
31	BB 011 000 200	starlock 20mm	2



ELIET SP 2015 – SECURITY PROTECTION					
NO	MMA 01 073 120	REV	2	DATE	2020/01/06

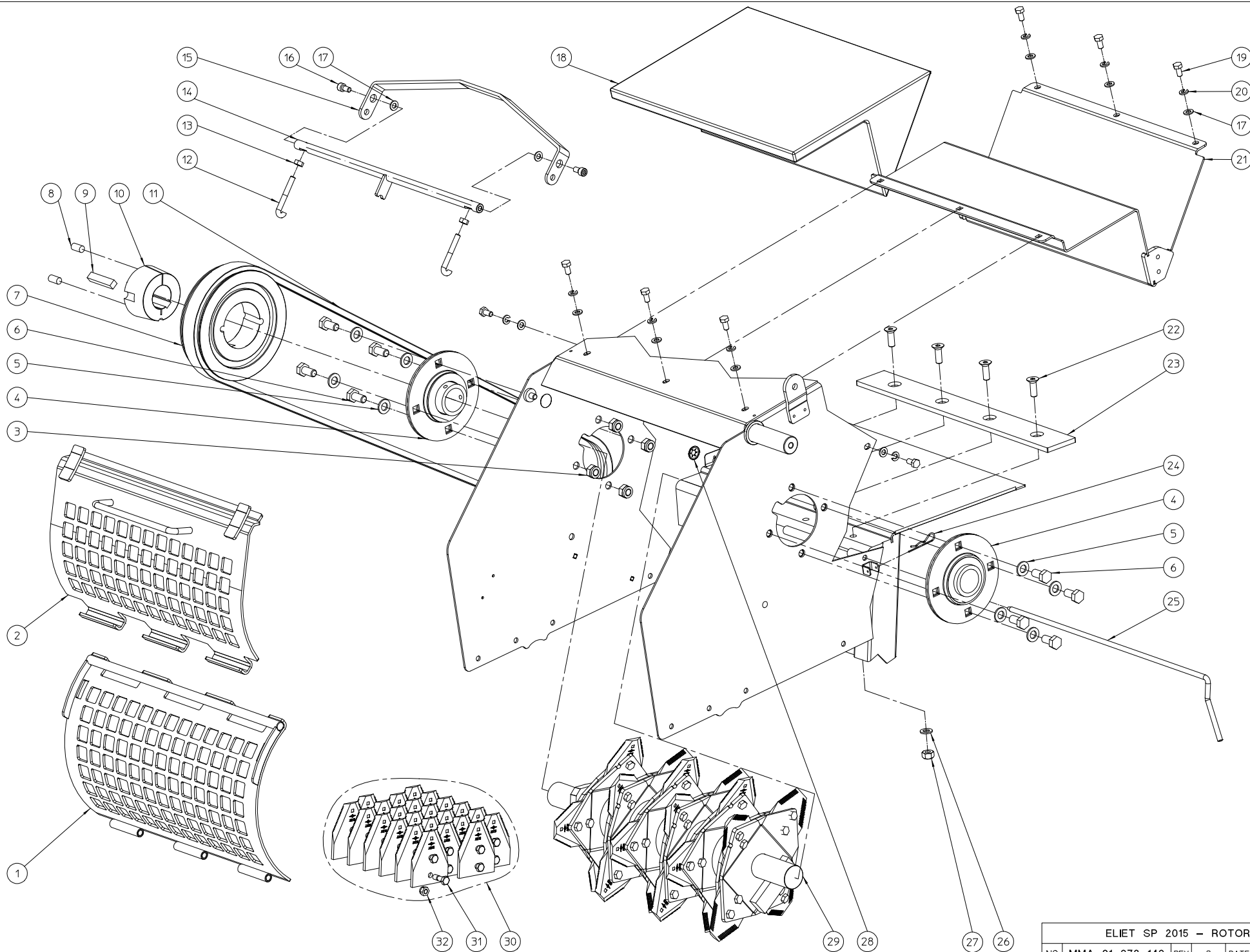
#	Order nr	article description	quantity
1	BS 512 000 812	bolt m8x12 din 933	2
2	BS 534 000 800	lock washer m8 din 6798a	2
3	BS 531 000 800	washer m8 din 125	10
4	MPA 01 073 180	safety handle	1
5	BR 600 130 301	antivibration blocks 30x30b m8x16	2
6	BS 502 000 800	self locking nut m8 din 985	2
7	BS 533 000 800	lock washer m8 din 127b	6
8	BS 512 000 820	bolt m8x20 din 933	3
9	MPA 01 074 240	support emergency stop	1
10	BS 531 000 600	washer m6 din 125	15
11	BS 502 000 600	self locking nut m6 din 985	8
12	MPA 01 073 810	connection flap control	1
13	BN 630 208 200	lob knob m8x20	1
14	BS 532 008 253	washer m8x25x1.5	1
15	BS 512 000 816	bolt m8x16 din 933	3
16	BK 152 250 201	cable support anti projectionplate	1
17	BS 522 500 620	screw m6x20 iso 7380	1
18	BS 507 000 008	lifting eye nut m8 din 582	1
19	BQ 505 010 100	safety sticker 465x200 (shield)	1
20	BS 512 000 620	bolt m6x20 din 933	1
21	MPA 01 073 510	anti projectionplate	1
22	BR 900 001 670	rubber anti projection flap 510 x 210	1
23	MPA 01 073 590	support rubber anti-projection	1
24	BB 221 104 140	pop plug alu 3.9x14 din 7337 a	6
25	BS 531 001 000	washer m10 din 125	1
26	BS 533 001 000	lock washer m10 din 127b	1
27	BS 512 001 020	bolt m10x20 din 933	1
28	MPA 01 073 200	belt cover	1
29	BS 512 000 616	bolt m6x16 din 933	4
30	MPA 01 073 300	set square support anti-projection	1
31	BS 351 601 624	spring loaded plunjer m16x24	1
32	BS 511 000 635	bolt m6x35 din 931	2
33	MPA 01 073 650	plate security switch	1



ELIET SP 2015 - IN FEED ROLLER				
NO	MMA 01 073 130	REV	2	DATE
				2019/11/19

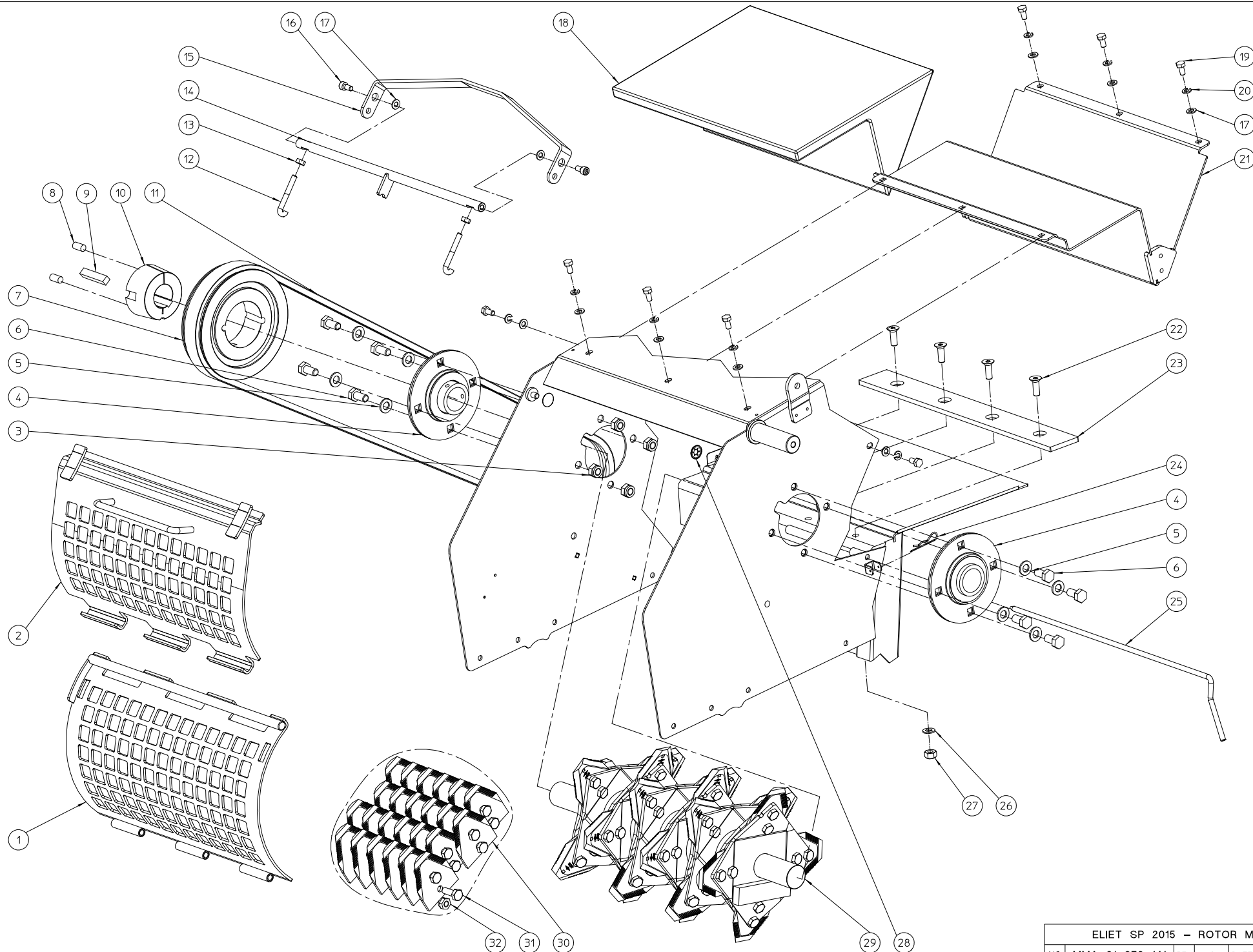
#	Order nr	article description	quantity
1	MPA 01 073 550	protection chain	1
2	BS 531 001 000	washer m10 din 125	2
3	BS 512 001 016	bolt m10x16 din 933	2
4	BS 532 010 406	washer m10x40x3	1
5	BS 533 001 000	lock washer m10 din 127b	2
6	BS 512 001 020	bolt m10x20 din 933	2
7	BB 341 080 725	key 8x7x25 din 6880	1
8	BS 502 001 000	self locking nut m10 din 985	6
9	BL 801 503 000	bearing + flanges aspf 206	2
10	BS 512 000 825	bolt m8x25 din 933	1
11	BS 512 000 840	bolt m8x40 din 933	1
12	BS 531 000 800	washer m8 din 125	9
13	MPA 01 070 420	bushing	2
14	BV 521 010 001	gas struts 500n x 100mm	1
15	MPA 01 073 870	washer 44x10x3	1
16	BR 112 304 090	nylon bushing with collar	2
17	BY 100 106 100	grease fitting m6 din 71412	1
18	MPA 01 073 130	arm pinch roll	1
19	BS 554 101 020	bolt m10x20 din 603	6
20	BS 554 100 820	bolt m8x20 din 603	2
21	BS 522 100 820	screw m8x20 din 7991	2
22	MPA 01 073 790	guide arm feed roller	1
23	BV 911 000 010	spring 14x2x16	2
24	BR 910 000 810	nylon cover sp2015	1
25	BS 512 000 612	bolt m6x12 din 933	5
26	BS 533 000 600	lock washer m6 din 127b	4
27	BS 531 000 600	washer m6 din 125	5
28	MPA 01 073 560	closing side roller	1
29	MPA 01 073 110	pinch roll	1
30	BR 111 321 310	nylon bushing (32/50x13)	1
31	BS 502 000 800	self locking nut m8 din 985	4
32	MPA 01 073 290	lock 10mm	1
33	MPA 01 073 780	thrust block arm feed roller	1
34	BS 512 000 820	bolt m8x20 din 933	2
35	BS 502 000 600	self locking nut m6 din 985	1
36	BS 551 100 646	eye bolt m6x70 din 444	1
37	MPA 01 070 430	spacer ring	1
38	BS 522 500 820	screw m8x20 iso 7380	2
39	BA 161 012 162	sprocket simplex 3/8"x7/32" 12t	1
40	BA 151 400 000	connecting chain link simplex (1/2) 3/8"x7/32"	1
41	BA 151 200 000	connecting chain link simplex 3/8"x7/32"	1
42	BA 101 104 020	chain simplex 3/8"x7/32" 104l	1
43	BR 600 530 250	vibration damper 30 x 25 type d m8x20	1
44	MPA 01 073 680	spacer ring	1
45	BA 161 040 301	sprocket simplex 3/8"x7/32" 40t	1





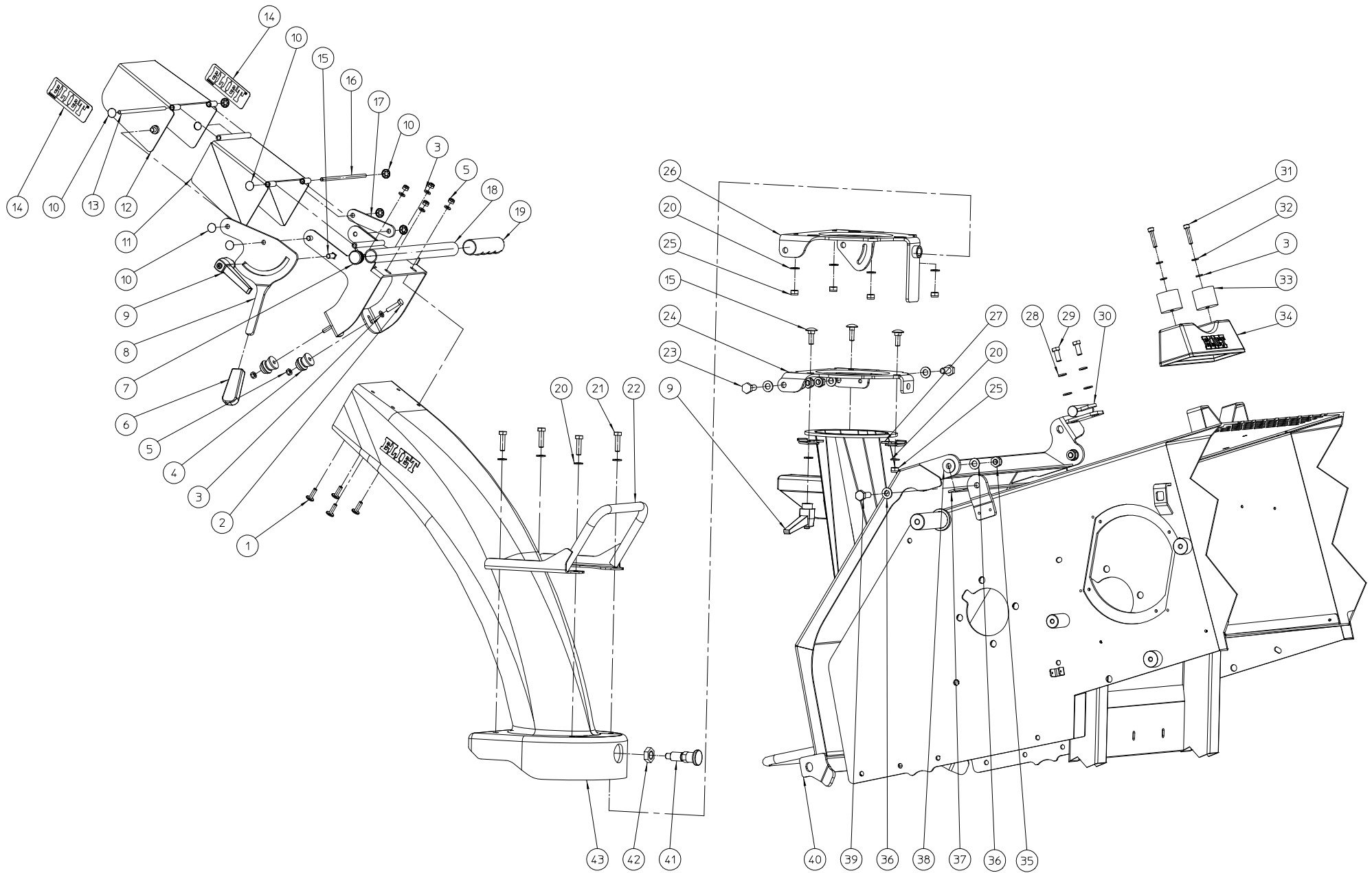
ELIET SP 2015 - ROTOR					
NO	MMA 01 073 140	REV	2	DATE	2020/01/06

#	Order nr	article description	quantity
1	MPA 01 073 150	lower calibrating grill	1
2	MPA 01 073 160	upper calibrating grill	1
3	BS 502 001 200	self locking nut m12 din 985	8
4	BL 801 604 001	kit bearing ucpf 208 complete	2
5	BS 531 001 200	washer m12 din 125	8
6	BS 512 001 225	bolt m12x25 din 933	8
7	BA 562 718 030	pulley 3 spa 180 tl2517	1
8	BB 501 311 220	set screw 7/16"x7/8"	2
9	BB 341 121 058		1
10	BB 501 164 000	taper lock tl 2517-40	1
11	BA 552 221 200	xpa 2120/2 powerband multibrins	1
12	MPA 01 070 400	hook for rapid fastener	2
13	BS 501 000 800	nut m8 din 934	2
14	MPA 01 073 380	axe closure grate	1
15	MPA 01 073 570	lever closure grate	1
16	BS 521 100 816	screw m8x16 din 912	2
17	BS 531 000 800	washer m8 din 125	12
18	BQ 158 010 150	isolation rotor	1
19	BS 512 000 816	bolt m8x16 din 933	10
20	BS 533 000 800	lock washer m8 din 127b	10
21	MPA 01 073 310	isolationplate	1
22	BS 522 101 030	screw m10x30 din 7991	4
23	MPA 01 070 180	fixation profile	1
24	BB 040 102 040	hairpin cotter 2mm din 11024	1
25	MPA 01 070 210	axle grating	1
26	BS 531 001 000	washer m10 din 125	4
27	BS 502 001 000	self locking nut m10 din 985	4
28	BB 011 000 090	starlock 9mm	2
29	MPA 01 073 140	rotor	1
30	BU 401 300 202	set of knives resist sp 18 hp (24) incl. bolts and nuts	1
31	BS 011 000 827	bolt m8x27 din 931	0
32	BS 502 000 800	self locking nut m8 din 985	0



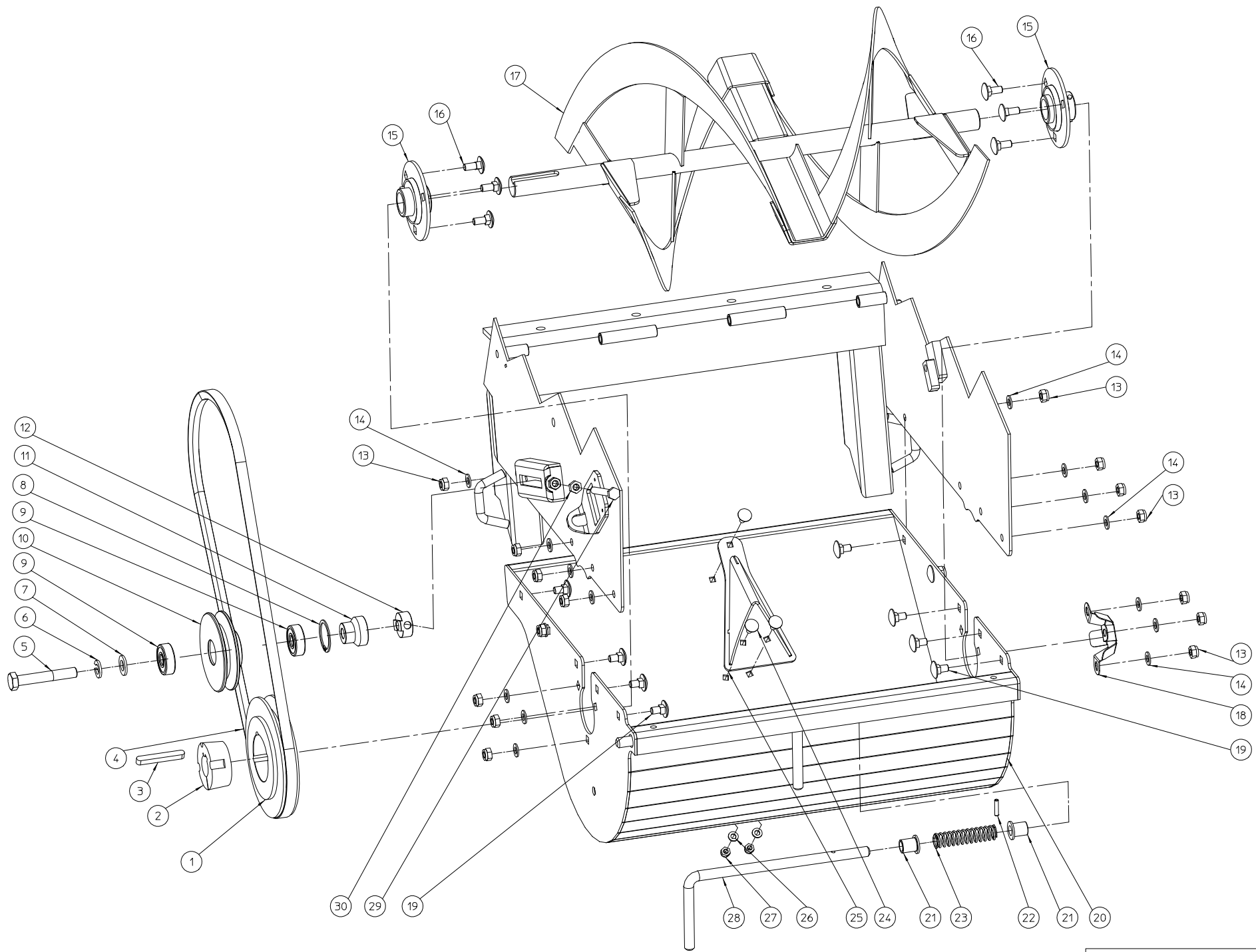
ELIET SP 2015 - ROTOR MAX				
NO	MMA 01 073 141	REV	1	DATE 2019/11/25

#	Order nr	article description	quantity
1	MPA 01 073 150	lower calibrating grill	1
2	MPA 01 073 160	upper calibrating grill	1
3	BS 502 001 200	self locking nut m12 din 985	8
4	BL 801 604 001	kit bearing ucpf 208 complete	2
5	BS 531 001 200	washer m12 din 125	8
6	BS 512 001 225	bolt m12x25 din 933	8
7	BA 562 718 030	pulley 3 spa 180 tl2517	1
8	BB 501 311 220	set screw 7/16"x7/8"	2
9	BB 341 121 058		1
10	BB 501 164 000	taper lock tl 2517-40	1
11	BA 552 221 200	xpa 2120/2 powerband multibrins	1
12	MPA 01 070 400	hook for rapid fastener	2
13	BS 501 000 800	nut m8 din 934	2
14	MPA 01 073 380	axe closure grate	1
15	MPA 01 073 570	lever closure grate	1
16	BS 521 100 816	screw m8x16 din 912	2
17	BS 531 000 800	washer m8 din 125	12
18	BQ 158 010 150	isolation rotor	1
19	BS 512 000 816	bolt m8x16 din 933	10
20	BS 533 000 800	lock washer m8 din 127b	10
21	MPA 01 073 310	isolationplate	1
22	BS 522 101 030	screw m10x30 din 7991	4
23	MPA 01 070 180	fixation profile	1
24	BB 040 102 040	hairpin cotter 2mm din 11024	1
25	MPA 01 070 210	axle grating	1
26	BS 531 001 000	washer m10 din 125	4
27	BS 502 001 000	self locking nut m10 din 985	4
28	BB 011 000 090	starlock 9mm	2
29	MPA 01 280 080	rotor	1
30	BU 401 301 000	set of knives resist (24)	1
31	BS 012 401 030	bolt m10x1,5x30 gr.10 din 961	0
32	BS 502 001 011	self locking nut m10x1.25 gr.10 din 985	0



ELIET SP 2015 - EJECTION TUBE				
NO	MMA 01 073 150	REV	2	DATE
				2019/06/11

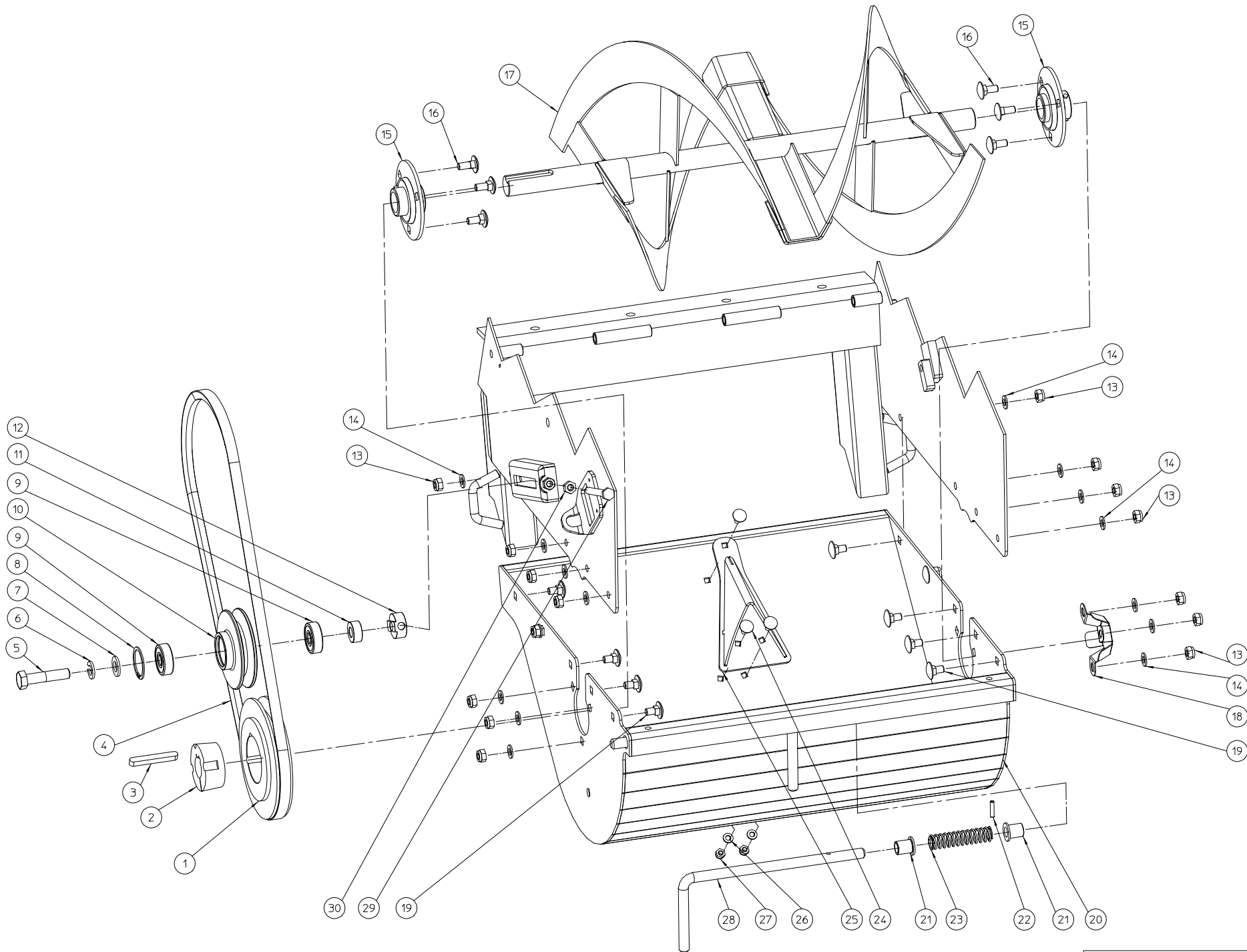
#	Order nr	article description	quantity
1	BS 552 100 620	screw m6x20 type kf	4
2	BS 512 000 630	bolt m6x30 din 933	2
3	BS 531 000 600	washer m6 din 125	8
4	BO 530 600 001	hook	2
5	BS 502 000 600	self locking nut m6 din 985	6
6	BN 230 100 202	plastic handgripp 15x5x6 pvc	1
7	BR 020 501 250	tube cap Ø 25mm	1
8	MPA 01 073 610	lever flap control	1
9	BN 530 108 800	clamp levers	2
10	BB 011 000 080	starlock 8mm	8
11	MPA 01 073 270	flap ejection	1
12	MPA 01 310 540	directional valves blow chute low	1
13	MPA 01 311 080	axle valve - up	1
14	BQ 501 010 090	sticker eliet 100x35	2
15	BS 554 100 825	bolt m8x25 din 603	4
16	MPA 01 311 090	axle valve - down	1
17	MPA 01 073 600	rod flap ejection	1
18	MPA 01 073 260	support flap ejection	1
19	BN 230 100 408	plastic grip 1"	1
20	BS 531 000 800	washer m8 din 125	13
21	BS 512 000 830	bolt m8x30 din 933	4
22	MPA 01 073 280	handle ejection	1
23	BS 512 001 025	bolt m10x25 din 933	2
24	MPA 01 074 360	flange rotation tube	1
25	BS 502 000 800	self locking nut m8 din 985	6
26	MPA 01 074 370	flange hinge tube	1
27	MPA 01 073 520	tube connection	3
28	BS 533 000 800	lock washer m8 din 127b	2
29	BS 512 000 820	bolt m8x20 din 933	2
30	MPA 01 073 290	lock 10mm	1
31	BS 521 100 630	screw m6x30 din 912	2
32	BS 533 000 600	lock washer m6 din 127b	2
33	BO 530 600 002	socket	2
34	BR 930 070 020	support discharge tunnel	1
35	BS 502 001 000	self locking nut m10 din 985	4
36	BS 531 001 000	washer m10 din 125	8
37	BR 001 512 031	epdm cellular rubber adhesive 3 x 12 x 480 mm	1
38	BR 112 100 600	nylon bushing with collar (10/13.5/25x6/2.5)	2
39	BS 512 001 030	bolt m10x30 din 933	2
40	MPA 01 073 250	rear	1
41	BN 000 216 580	indexing plunger m16 x 1.5	1
42	BS 501 901 601	nut m16x1.50 din 439	1
43	BR 930 070 010	discharge tunnel	1



ELIET SP2015 - EJECTION TRAY (18PK)					
NO	MMA 01 073 160	REV	4	DATE	2020/12/18

#	Order nr	article description	quantity
1	BA 562 714 001	pulley spa 140 tl1610	1
2	BB 501 132 500	taper lock tl 1610-25	1
3	BB 351 080 760	key 8x7x60 din 6885a	1
4	BA 521 212 070	belt xpa 1207	1
5	BS 511 001 247	bolt m12x75 din 931	1
6	BS 533 001 200	lock washer m12 din 127b	1
7	BS 531 001 200	washer m12 din 125	1
8	BB 002 000 370	retaining ring 32 din 472	1
9	BL 001 203 703	bearing 6301 2rz	2
10	BA 565 709 004	pulley spa 90 - 6301	1
11	MPA 01 074 480	intermediate ring	1
12	MPA 01 074 560		1
13	BS 502 000 800	self locking nut m8 din 985	16
14	BS 531 000 800	washer m8 din 125	16
15	BL 801 502 502	bearing + flanges ucpf 205	2
16	BS 554 100 820	bolt m8x20 din 603	6
17	MPA 01 073 320	ejector	1
18	MPA 01 041 260	bearing protection cover pf205 + shaft	1
19	BS 554 100 816	bolt m8x16 din 603	10
20	MPA 01 073 170	ejection tray	1
21	BR 112 201 290	nylon bushing with collar (12x16x20)	4
22	BB 120 045 200	locking 4.5x20 din 1481	2
23	BV 907 000 030	spring Ø:14 l:75 Ø dr:2 p:5,7	2
24	BS 554 100 616	bolt m6x16 din 603	3
25	MPA 01 073 700	deflector ejector	1
26	BS 531 000 600	washer m6 din 125	3
27	BS 502 000 600	self locking nut m6 din 985	3
28	MPA 01 073 670	lock hood rotor	2
29	BS 512 000 848	bolt m8x80 din 933	1
30	BS 501 000 800	nut m8 din 934	1

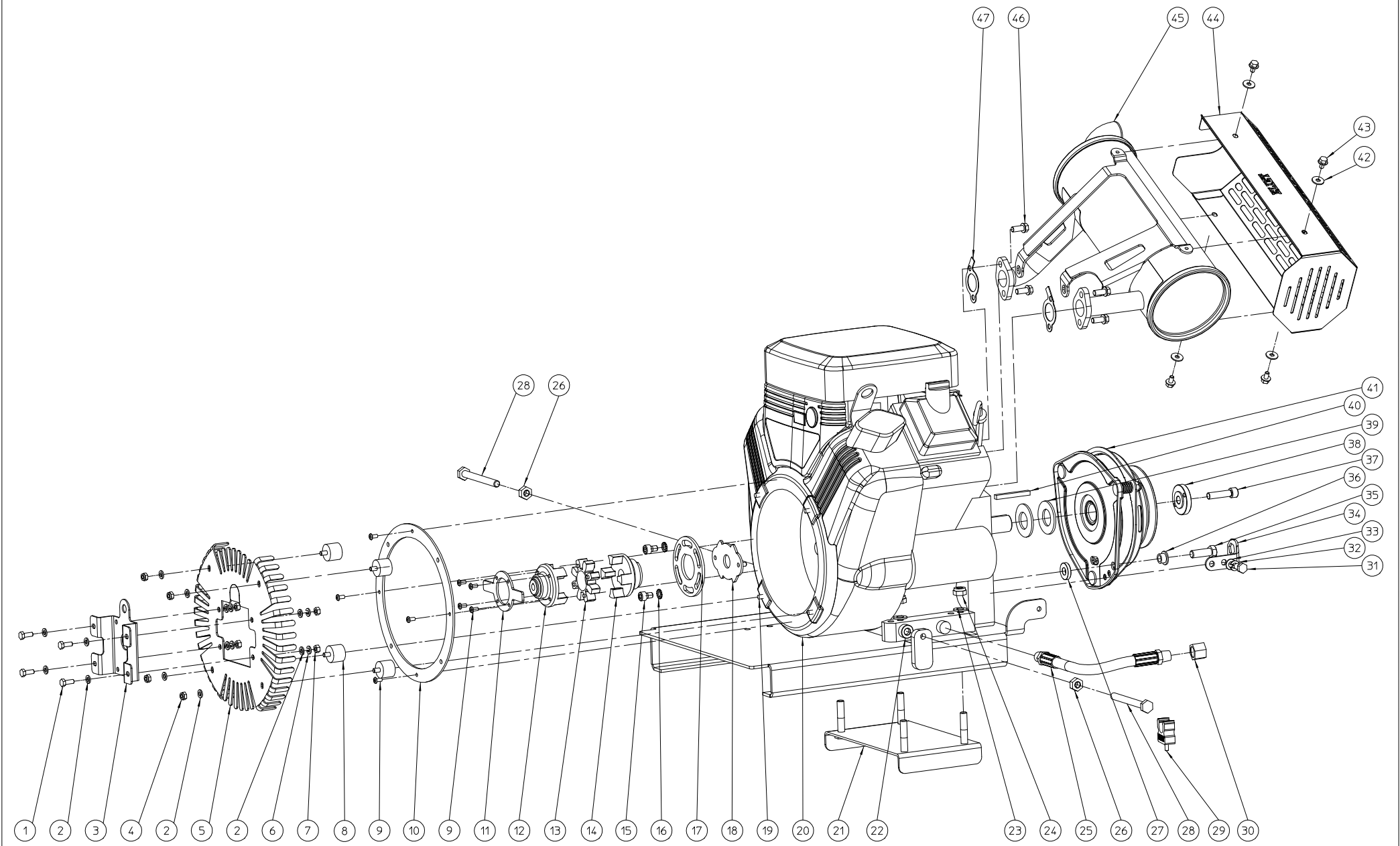




ELIET SP2015 - EJECTION TRAY (23PK EFI)

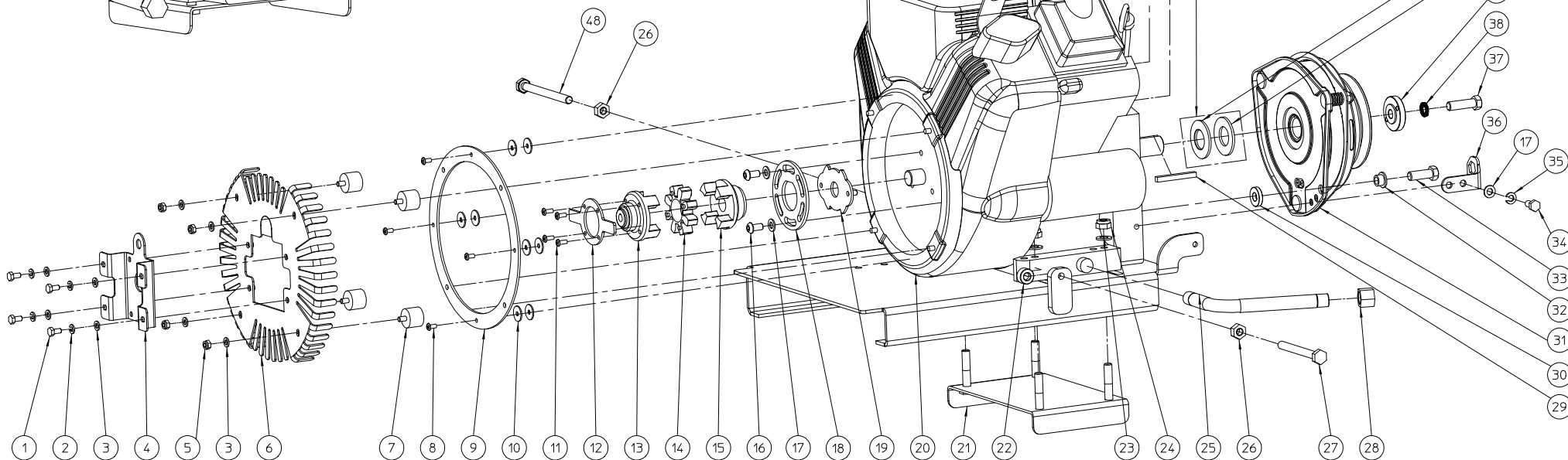
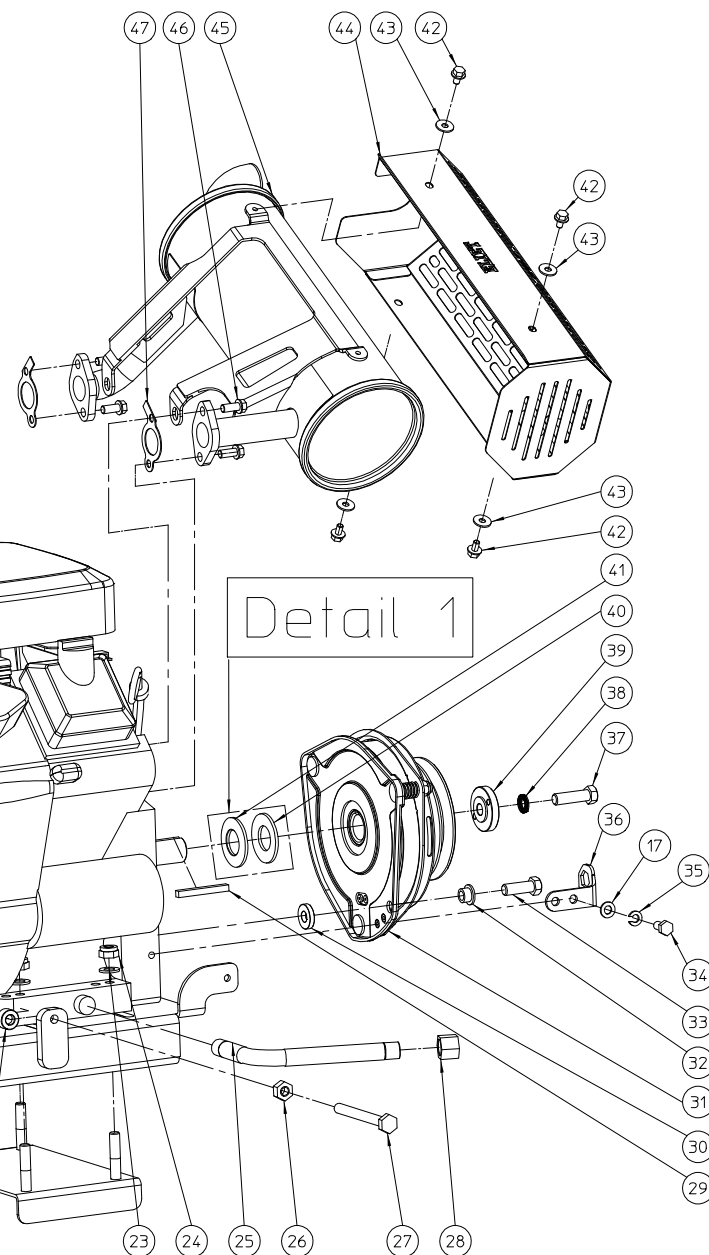
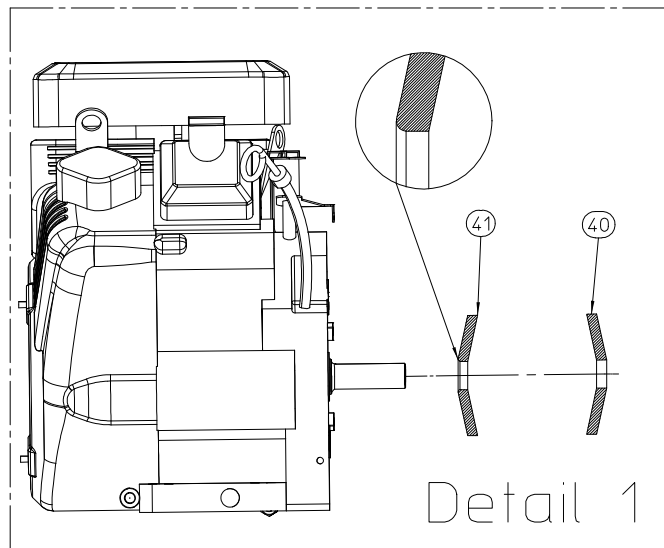
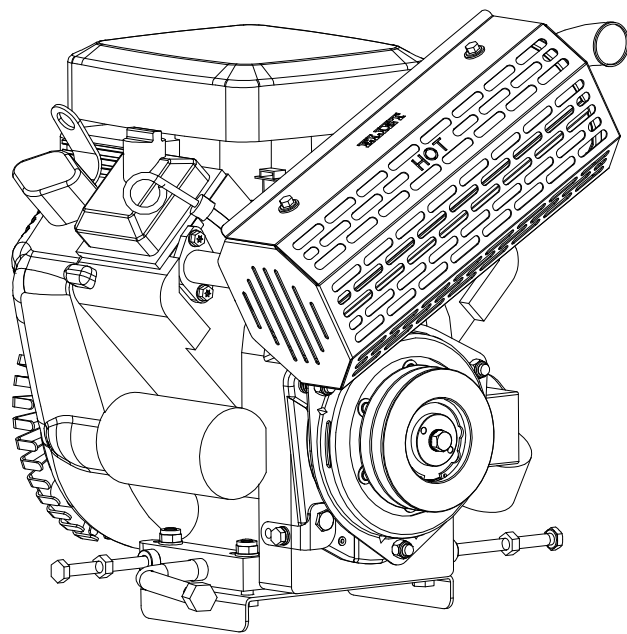
NO	MMA 01 073 161	REV	1	DATE	2020/12/18
----	----------------	-----	---	------	------------

#	Order nr	article description	quantity
1	BA 562 714 001	pulley spa 140 tl1610	1
2	BB 501 132 500	taper lock tl 1610-25	1
3	BB 351 080 760	key 8x7x60 din 6885a	1
4	BA 521 212 070	belt xpa 1207	1
5	BS 511 001 243	bolt m12x55 din 931	1
6	BS 533 001 200	lock washer m12 din 127b	1
7	BS 531 001 200	washer m12 din 125	1
8	BB 002 000 370	retaining ring 32 din 472	1
9	BL 001 203 703	bearing 6301 2rz	2
10	BA 565 709 004	pulley spa 90 - 6301	1
11	MPA 01 074 570		1
12	MPA 01 074 560		1
13	BS 502 000 800	self locking nut m8 din 985	16
14	BS 531 000 800	washer m8 din 125	16
15	BL 801 502 502	bearing + flanges ucpf 205	2
16	BS 554 100 820	bolt m8x20 din 603	6
17	MPA 01 073 320	ejector	1
18	MPA 01 041 260	bearing protection cover pf205 + shaft	1
19	BS 554 100 816	bolt m8x16 din 603	10
20	MPA 01 073 170	ejection tray	1
21	BR 112 201 290	nylon bushing with collar (12x16x20)	4
22	BB 120 045 200	locking 4.5x20 din 1481	2
23	BV 907 000 030	spring Ø:14 l:75 Ø dr:2 p:5,7	2
24	BS 554 100 616	bolt m6x16 din 603	3
25	MPA 01 073 700	deflector ejector	1
26	BS 531 000 600	washer m6 din 125	3
27	BS 502 000 600	self locking nut m6 din 985	3
28	MPA 01 073 670	lock hood rotor	2
29	BS 512 000 848	bolt m8x80 din 933	1
30	BS 501 000 800	nut m8 din 934	1



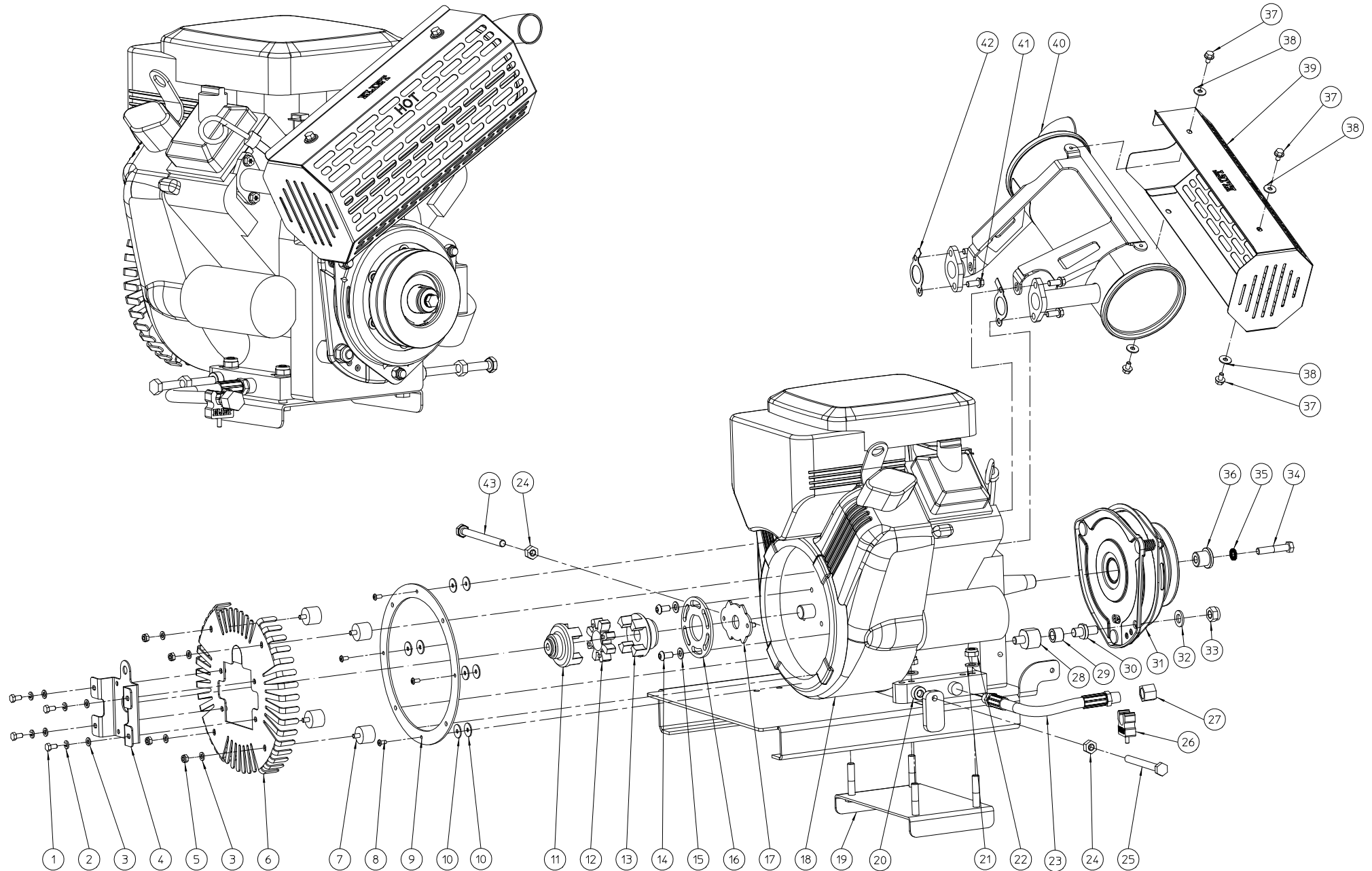
ELIET SP 2015 - ENGINE 18HP						
NO	MMA 01 073 180	REV	3	DATE	2020/01/06	

#	Order nr	article description	quantity
1	BS 512 000 616	bolt m6x16 din 933	4
2	BS 531 000 600	washer m6 din 125	12
3	MPA 01 073 820	support pump sensor	1
4	BS 502 000 600	self locking nut m6 din 985	4
5	MPA 01 073 390	support pump holder	1
6	BS 533 000 600	lock washer m6 din 127b	4
7	BS 501 000 600	nut m6 din 934	4
8	BR 600 225 201	antivibration blocks 25x20b m6x10	4
9	BB 221 005 100	pop plug steel 4.8x10 din 7337 a	8
10	MPA 01 070 670	engine housing reinforcement	1
11	MPA 01 073 720	rotation measuring point	1
12	BA 201 220 101	elastic coupling alu flange (pump side)	1
13	BA 201 240 000	elastic coupling rubber flector	1
14	BA 201 232 000	elastic coupling alu flange (engine side)	1
15	BS 521 100 812	screw m8x12 din 912	2
16	BS 534 000 800	lock washer m8 din 6798a	2
17	MPA 01 070 680	connecting disk for elastic coupling	1
18	MPA 01 070 690	centring coupling	1
19	MPA 01 071 050	support reinforcement ring	4
20	BM 201 318 001	b&s vanguard twin 18 hp	1
21	MPA 01 070 230	engine fixing plate	1
22	MPA 01 074 440	spacer ring tension engine	2
23	BS 531 001 000	washer m10 din 125	4
24	BS 502 001 000	self locking nut m10 din 985	4
25	BH 551 060 320	flexible hydraulic hose 3/8"x320	1
26	BS 501 001 000	nut m10 din 934	2
27	MPA 01 074 450	spacer ring sp2015	1
28	BS 512 001 050	bolt m10x100 din 933	2
29	BT 654 001 901	clam 19mm	1
30	BT 174 150 600	terminal nut 3/8"	1
31	BS 512 000 816	bolt m8x16 din 933	1
32	BS 533 000 800	lock washer m8 din 127b	1
33	BS 531 000 800	washer m8 din 125	1
34	MPA 01 074 460	support propeller drive	1
35	BS 512 951 132	hexagon bolt galvanised 7/16 x 1" 1/4 unc	1
36	BR 112 101 011	nylon bushing with collar (10/14/20x7/16")	1
37	BS 521 441 040	screw unf 3/8x1.1/2" din 912	1
38	MPA 01 074 380	ring clutch sp2015	1
39	BS 033 525 501	plate spring 50 x 25,4 x 3mm	2
40	BB 342 060 657	key 6.35x6.35x57 din 6880	1
41	BA 250 104 010	electrical coupling spa 118 ii	1
42	BS 532 006 183	washer m6x18x1.5	4
43	BS 511 400 610	hexagon flange bolts m6x10 din 6921	4
44	MPA 01 073 450	muffler protection	1
45	BM 261 300 730	muffler engine	1
46	BM 260 691 902		4
47	BM 260 691 613	gasket b&s	2



ELIET SP 2015 - ENGINE 23HP					
NO	MMA 01 073 181	REV	2	DATE	2021/02/25

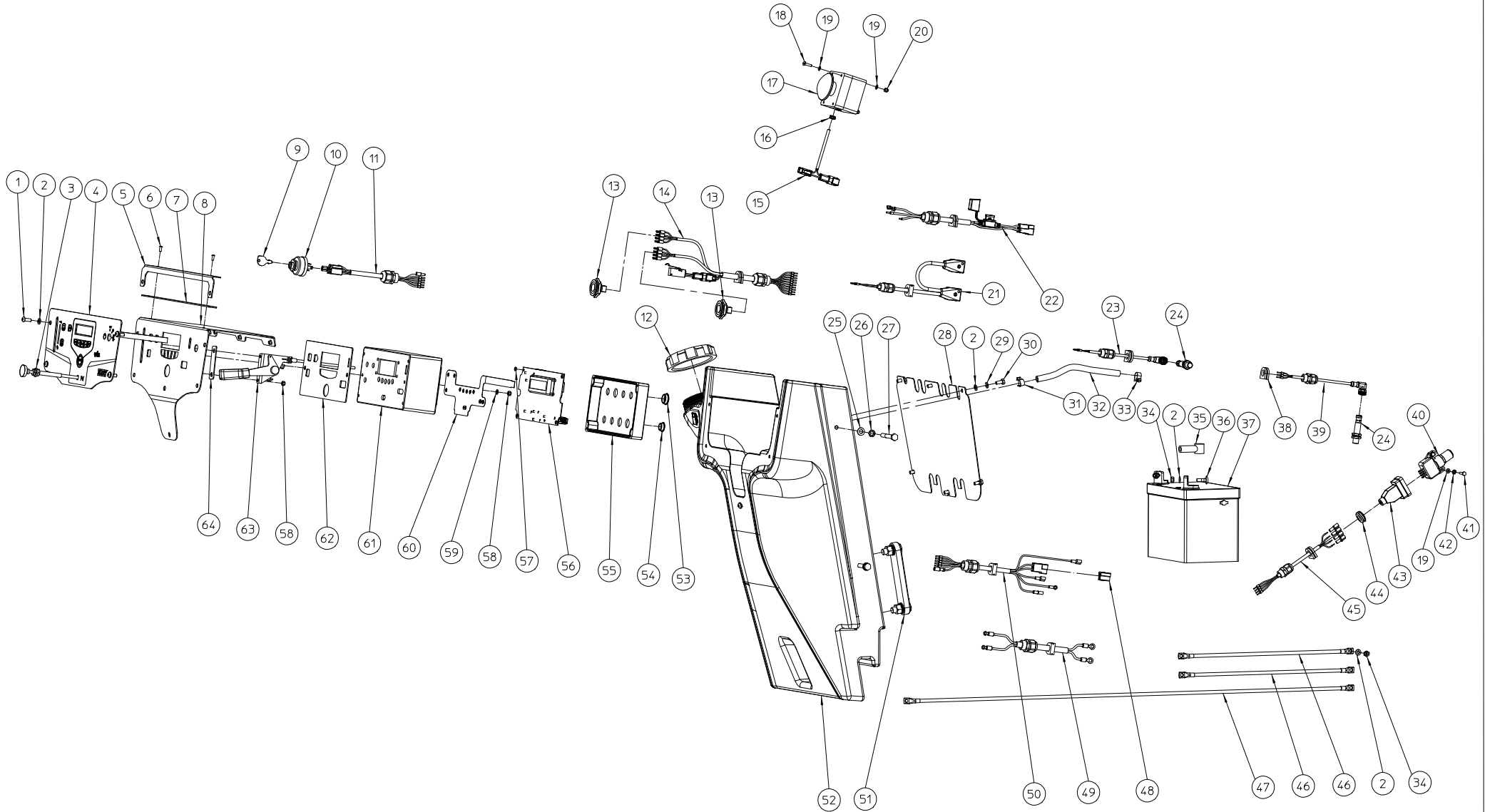
#	Order nr	article description	quantity
1	BS 512 000 612	bolt m6x12 din 933	4
2	BS 533 000 600	lock washer m6 din 127b	4
3	BS 531 000 600	washer m6 din 125	8
4	MPA 01 073 820	support pump sensor	1
5	BS 502 000 600	self locking nut m6 din 985	4
6	MPA 01 073 390	support pump holder	1
7	BR 600 225 201	antivibration blocks 25x20b m6x10	4
8	BB 221 005 100	pop plug steel 4.8x10 din 7337 a	4
9	MPA 01 070 670	engine housing reinforcement	1
10	BS 532 005 202	washer m5x20x1.5	8
11	BB 221 005 120	pop plug steel 4.8x12 din 7337 a	4
12	MPA 01 073 720	rotation measuring point	1
13	BA 201 220 101	elastic coupling alu flange (pump side)	1
14	BA 201 240 000	elastic coupling rubber flector	1
15	BA 201 232 000	elastic coupling alu flange (engine side)	1
16	BS 522 500 816	screw m8x16 iso 7380	2
17	BS 531 000 800	washer m8 din 125	3
18	MPA 01 070 680	connecting disk for elastic coupling	1
19	MPA 01 070 690	centring coupling	1
20	BM 201 322 001	b&s vanguard twin 22 hp	1
21	MPA 01 070 230	engine fixing plate	1
22	MPA 01 074 440	spacer ring tension engine	2
23	BS 531 001 000	washer m10 din 125	4
24	BS 502 001 000	self locking nut m10 din 985	4
25	BM 261 300 400	draining pipe	1
26	BS 501 001 000	nut m10 din 934	2
27	BS 512 001 050	bolt m10x100 din 933	1
28	BT 174 150 600	terminal nut 3/8"	1
29	BB 342 060 657	key 6.35x6.35x57 din 6880	1
30	MPA 01 074 450	spacer ring sp2015	1
31	BA 250 104 010	electrical coupling spa 118 ii	1
32	BR 112 101 011	nylon bushing with collar (10/14/20x7/16")	1
33	BS 512 951 132	hexagon bolt galvanised 7/16 x 1" 1/4 unc	1
34	BS 512 000 816	bolt m8x16 din 933	1
35	BS 533 000 800	lock washer m8 din 127b	1
36	MPA 01 074 460	support propeller drive	1
37	BS 012 011 140		1
38	BS 733 611 118		1
39	MPA 01 074 380	ring clutch sp2015	1
40	BS 033 525 501	plate spring 50 x 25,4 x 3mm	1
41	BS 033 525 509	plate spring 50 x 25,4 x 3mm	1
42	BS 511 400 610	hexagon flange bolts m6x10 din 6921	4
43	BS 532 006 183	washer m6x18x1.5	4
44	MPA 01 073 450	muffler protection	1
45	BM 261 300 720		1
46	BM 260 691 902		4
47	BM 260 806 425		2
48	BS 512 001 052	bolt m10x120 din 933	1



ELIET SP 2015 - ENGINE EFI 23 HP					
NO	MMA 01 073 183	REV	2	DATE	2019/12/17

#	Order nr	article description	quantity
1	BS 512 000 612	bolt m6x12 din 933	4
2	BS 533 000 600	lock washer m6 din 127b	4
3	BS 531 000 600	washer m6 din 125	8
4	MPA 01 073 820	support pump sensor	1
5	BS 502 000 600	self locking nut m6 din 985	4
6	MPA 01 073 390	support pump holder	1
7	BR 600 225 201	antivibration blocks 25x20b m6x10	4
8	BB 221 005 100	pop plug steel 4.8x10 din 7337 a	4
9	MPA 01 070 670	engine housing reinforcement	1
10	BS 532 005 202	washer m5x20x1.5	8
11	BA 201 220 101	elastic coupling alu flange (pump side)	1
12	BA 201 240 000	elastic coupling rubber flector	1
13	BA 201 232 000	elastic coupling alu flange (engine side)	1
14	BS 522 500 816	screw m8x16 iso 7380	2
15	BS 531 000 800	washer m8 din 125	2
16	MPA 01 070 680	connecting disk for elastic coupling	1
17	MPA 01 070 690	centring coupling	1
18	BM 201 323 003		1
19	MPA 01 070 230	engine fixing plate	1
20	MPA 01 074 440	spacer ring tension engine	2
21	BS 531 001 000	washer m10 din 125	4
22	BS 502 001 000	self locking nut m10 din 985	4
23	BH 551 060 320	flexible hydraulic hose 3/8"x320	1
24	BS 501 001 000	nut m10 din 934	2
25	BS 512 001 050	bolt m10x100 din 933	1
26	BT 654 001 901	clam 19mm	1
27	BT 174 150 600	terminal nut 3/8"	1
28	MPA 01 074 610		1
29	BR 200 213 001		1
30	MPA 01 074 620		1
31	BA 250 105 030		1
32	BS 531 001 200	washer m12 din 125	1
33	BS 502 001 200	self locking nut m12 din 985	1
34	BS 511 041 042	bolt unf 3/8"x2"	1
35	BS 733 611 016		1
36	MPA 01 074 490		1
37	BS 511 400 610	hexagon flange bolts m6x10 din 6921	4
38	BS 532 006 183	washer m6x18x1.5	4
39	MPA 01 073 450	muffler protection	1
40	BM 261 300 720		1
41	BM 260 691 902		4
42	BM 260 806 425		2
43	BS 512 001 052	bolt m10x120 din 933	1

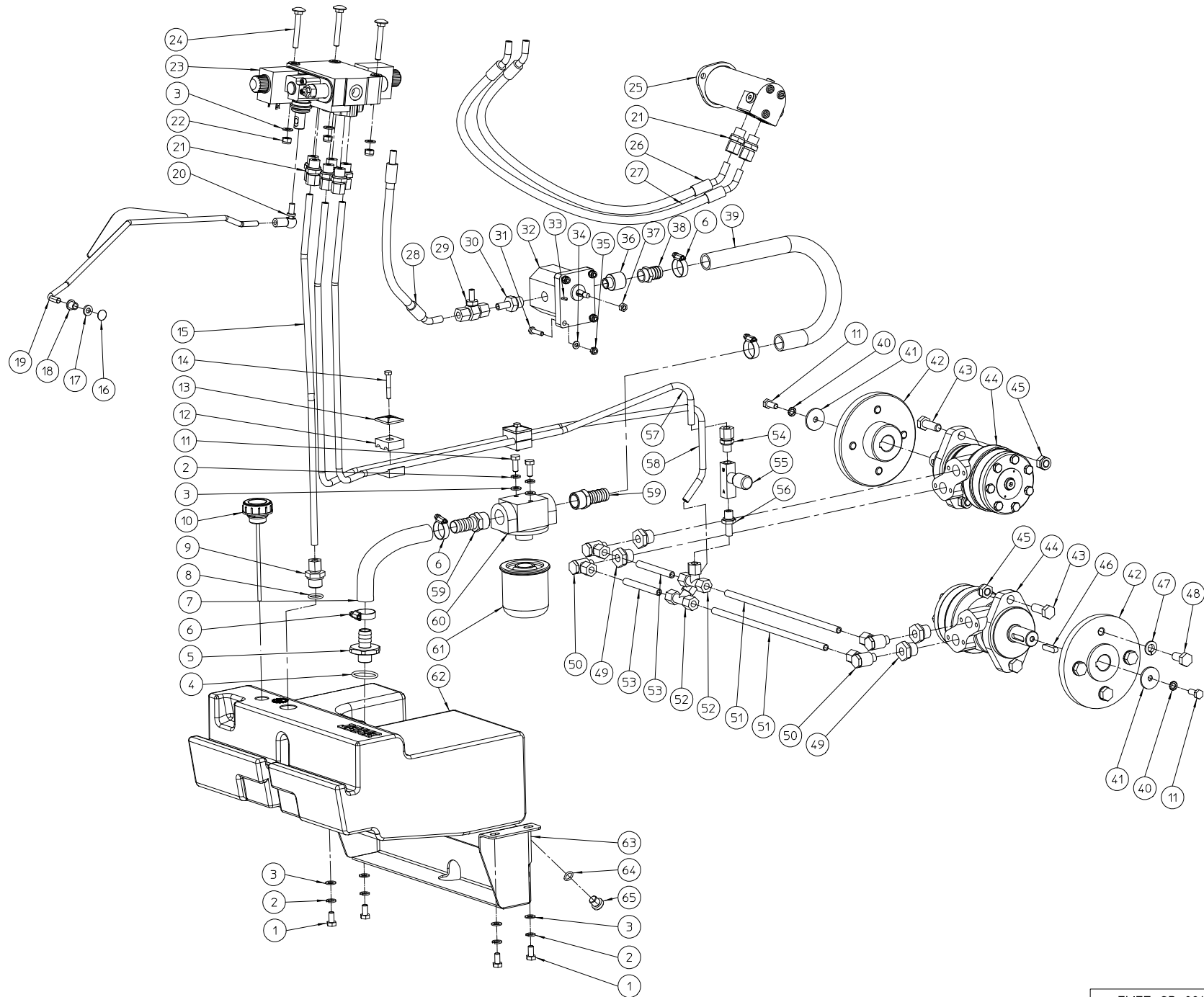




ELIET SP 2015 – ELECTRICAL SYSTEM						
NO	MMA 01 073 190	REV	2	DATE	2020/03/13	

#	Order nr	article description	quantity
1	BS 522 500 616	screw m6x16 iso 7380	5
2	BS 531 000 600	washer m6 din 125	14
3	BK 181 151 060	choke control	1
4	BE 700 021 000	control panel	1
5	MPA 01 073 880	set square control panel	1
6	BB 221 104 100	pop plug alu 3.9x10 din 7337 a	2
7	BR 900 001 700	extern isolation	1
8	MPA 01 073 370	control panel	1
9	BM 260 691 959	ignition key	1
10	BM 260 692 318	ignition switch	1
11	BE 099 000 602	cable ignition switch	1
12	BH 720 505 885	cap for tank	1
13	BE 120 081 420	control button	2
14	BE 099 000 606	cable control buttons	1
15	BE 099 000 611	cable emergency stop	1
16	BR 000 206 202	rubber grommets	2
17	BE 122 650 003	pressure button red with lock	1
18	BS 541 000 416	screw m4x16 din 84	4
19	BS 531 000 400	washer m4 din 125	10
20	BS 505 500 400	nut m4 din 1587	4
21	BE 099 000 604	cable solenoid valve	1
22	BE 099 000 603		1
23	BE 099 000 607	cable sensor	1
24	BE 400 010 200	sensor	2
25	BS 531 000 800	washer m8 din 125	4
26	BS 534 000 800	lock washer m8 din 6798a	4
27	BS 511 000 844	bolt m8x60 din 931	4
28	MPA 01 073 800	closure control panel	1
29	BS 533 000 600	lock washer m6 din 127b	6
30	BS 512 000 614	bolt m6x14 din 933	6
31	BT 670 111 130	hose clamp 11x13mm	1
32	BR 202 007 025		1
33	BT 670 109 110	hose clamp 9x11mm	1
34	BS 502 000 600	self locking nut m6 din 985	3
35	BR 701 010 150	terminal cover	1
36	BS 554 100 620	bolt m6x20 din 603	2
37	BE 240 120 300	battery 12v 30ah	1
38	BR 000 213 521	rubber grommets	1
39	BE 099 004 411	cable sensor calibration sieves	1
40	BE 120 030 020	safety switch	1
41	BS 512 000 420	bolt m4x20 din 933	2
42	BS 534 000 400	lock washer m4 din 6798a	2
43	BR 002 010 302	rubber cap cobo	1
44	BR 000 212 040	grommets 120/200/40	1
45	BE 099 000 605	cable rear safety interlock	1
46	BE 090 180 371	black wire 16mm <sup>2</sup> - 370mm	2
47	BE 090 281 031	red wire 16mm <sup>2</sup> - 1030mm	1
48	BE 032 180 907	connector receptacle 2 positons cpc	1
49	BE 099 000 609	cable power requirement	1
50	BE 099 000 601	engine cable	1
51	BH 730 404 005	level gauge 127 mm	1
52	BY 717 212 020	plastic tank zwart 20l	1

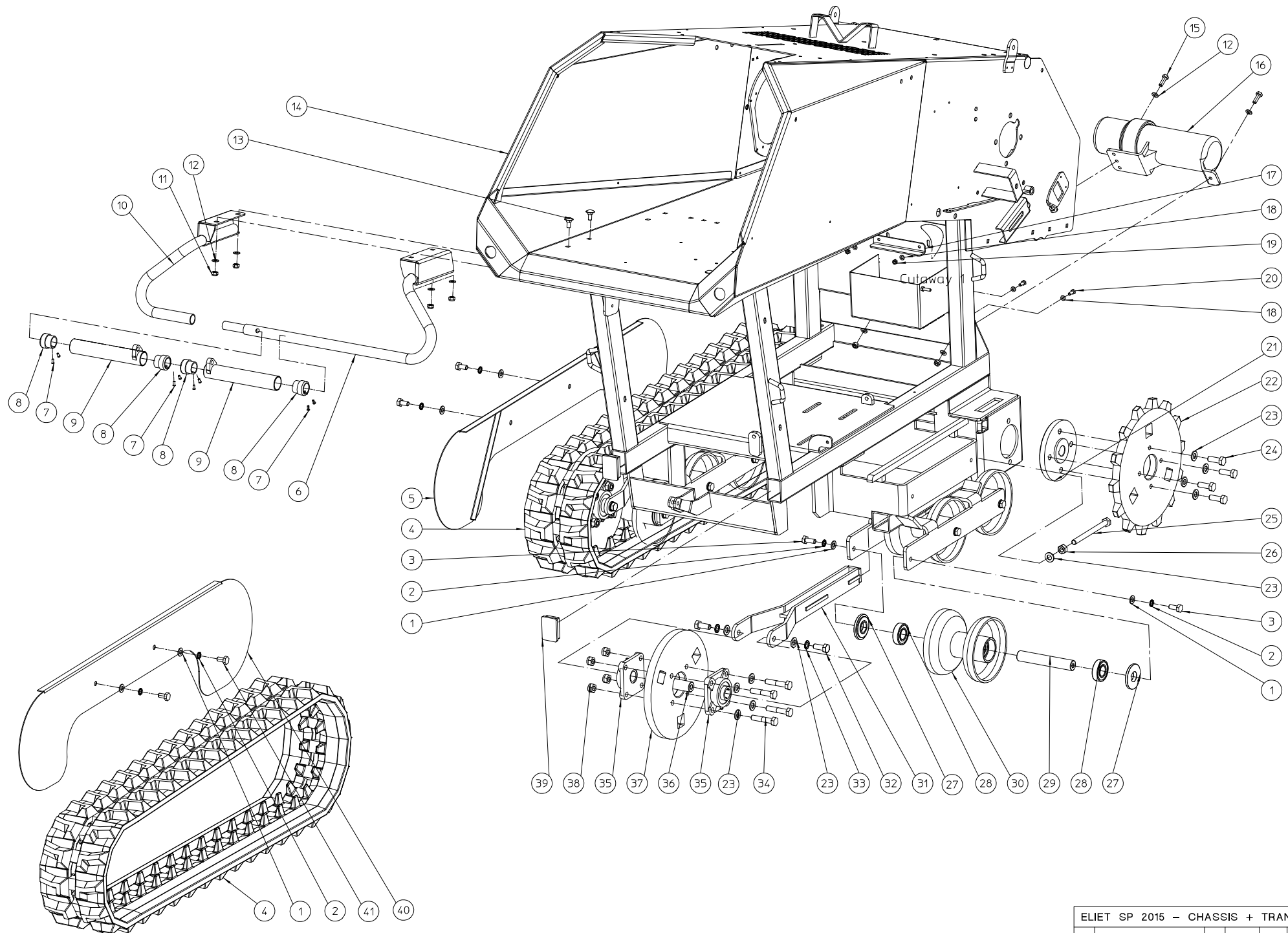
53	BE 071 042 002		1
54	BE 071 041 602		1
55	BE 142 412 102	cover electrical bay	1
56	BE 700 023 000	pcb sp2015	1
57	BR 111 040 270		4
58	BS 502 000 500	self locking nut m5 din 985	4
59	BS 531 000 500	washer m5 din 125	2
60	BE 700 022 000	led print	1
61	BE 142 412 101	electrical bay	1
62	BR 900 001 690	isolation electrical bay	1
63	BK 164 310 900	throttle control + cable	1
64	MPA 01 070 280	spacer	1



ELIET SP 2015 - HYDRAULIC SYSTEM					
NO	MMA 01 073 200	REV	2	DATE	2021/01/04

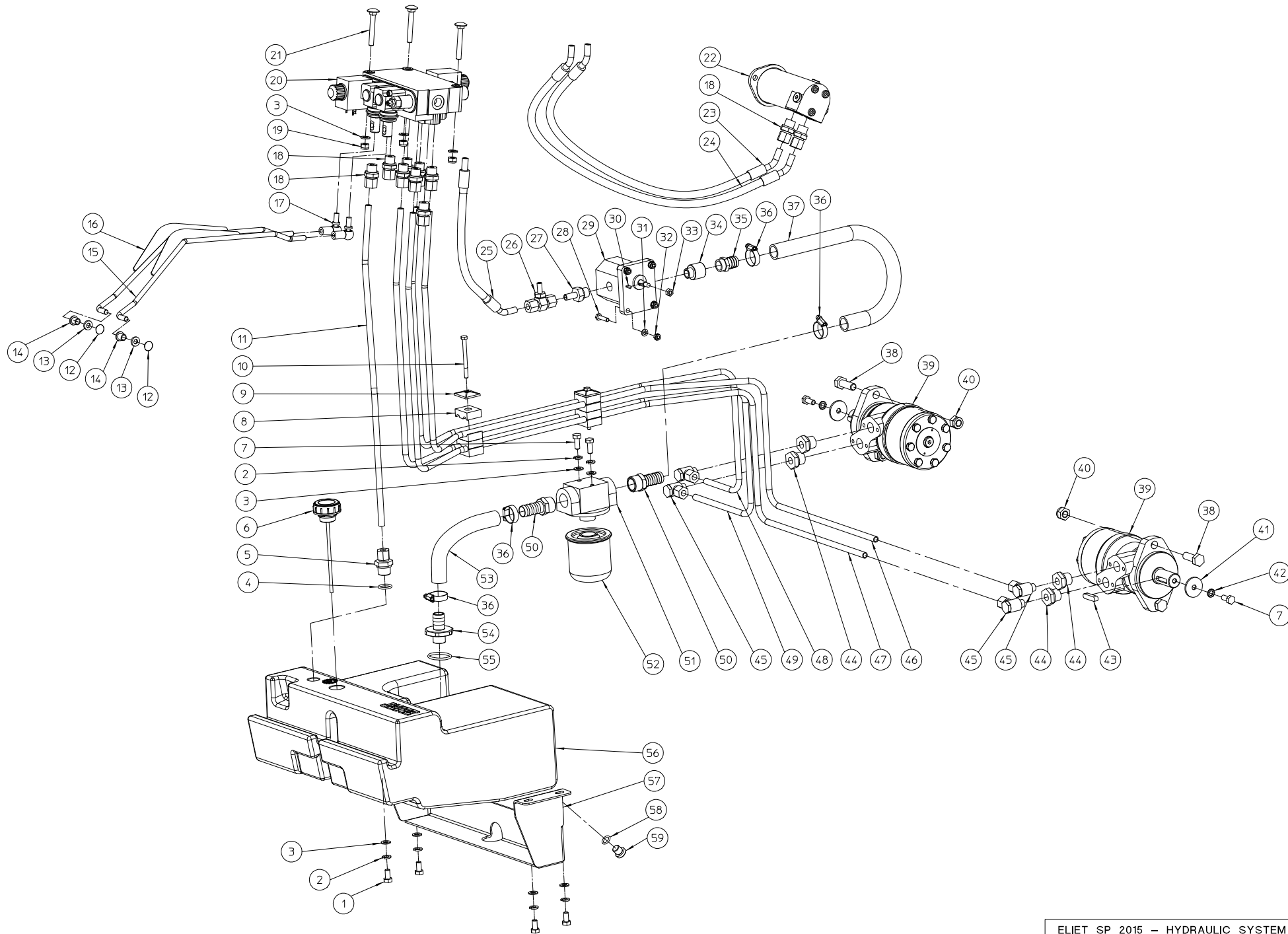
#	Order nr	article description	quantity
1	BS 512 000 816	bolt m8x16 din 933	4
2	BS 533 000 800	lock washer m8 din 127b	6
3	BS 531 000 800	washer m8 din 125	9
4	BH 812 345 350	o-ring 34,52 x 3,53 mm viton	1
5	MPA 01 073 890	adaptor Ø 20mm - 1/2"	1
6	BT 670 117 290	hose clamp 17x29mm	4
7	BR 220 619 018	flexible suction pipe Ø19x18cm	1
8	BH 812 180 300	o-ring Ø 18 x 3 mm viton	1
9	BH 509 251 009	male stud coupling 10lx1/2" hole 10	1
10	BH 720 704 112	filler cap	1
11	BS 512 000 820	bolt m8x20 din 933	4
12	BH 711 020 100	pipe clamp b-10mm	4
13	BH 710 003 010	clamp base - a	2
14	BS 511 000 640	bolt m6x40 din 931	2
15	MPA 01 074 150	hydraulic pipe (pump return)	1
16	BB 011 000 080	starlock 8mm	1
17	BR 111 080 300	nylon bushing (8,2/16x3)	1
18	BR 112 081 300	nylon bushing with collar (8/11/16x13/2)	1
19	MPA 01 073 850	link rod traction control	1
20	BA 230 010 800	ball joint m8	1
21	BH 509 211 006	male stud coupling 10lx3/8"	8
22	BS 502 000 800	self locking nut m8 din 985	3
23	BH 400 401 210	hydraulic valve sd5-2	1
24	BS 554 100 844	bolt m8x60 din 603	3
25	BH 331 205 001		1
26	BH 551 040 800	flexible hydraulic hose 1/4"x800	1
27	BH 551 040 871	flexible hydraulic hose 1/4"x870	1
28	BH 551 040 480	flexible hydraulic hose 1/4"x480	1
29	BH 563 000 100	manometer coupler 10lxm16x2	1
30	BH 512 671 006	standpipe adaptor 10sr3/8"	1
31	BS 512 000 625	bolt m6x25 din 933	4
32	BH 210 103 200	hydraulic pump 3.2cc	1
33	BB 321 020 512	key 2x5x12.65 din 6888	1
34	BS 531 000 600	washer m6 din 125	4
35	BS 502 000 600	self locking nut m6 din 985	4
36	BT 134 280 608	messaging 3/8x1/2	1
37	BS 501 000 700	nut m7 din 934	1
38	BT 136 260 820	insert connector for hose 20x1/2	1
39	BR 220 619 045	flexible suction pipe Ø19x450mm	1
40	BS 534 000 800	lock washer m8 din 6798a	2
41	BS 532 008 356	washer m8x35x3	2
42	BA 281 504 501	hub rear wheel m12x1.5	2
43	BS 512 001 235	bolt m12x35 din 933	4
44	BH 331 510 000	hydraulic engine mr n 100 cd	2
45	BS 502 001 200	self locking nut m12 din 985	4
46	BB 351 080 732	key 8x7x32 din 6885a	2
47	BS 535 301 210	lock cup washer m12 din 74361	8
48	BS 512 301 225	bolt m12x1.5x25 din 961	8
49	BH 514 100 804	reduction stud (m-f) 1/2"-1/4"	4
50	BH 513 111 004	banjo 10lx1/4"	4
51	MPA 01 073 960	hydraulic pipe st 3	2
52	BH 510 011 000	equal tee 10l	2

53	MPA 01 073 950	hydraulic pipe st 4	2
54	BH 509 211 004	male stud coupling 10lx1/4"	1
55	BH 430 110 400	flow control valve 1/4"	1
56	BH 512 611 004	standpipe adaptor 10lx1/4"	1
57	MPA 01 074 590		1
58	MPA 01 074 580		1
59	BT 136 261 219	adaptor Ø 19mm - 3/4"	2
60	BH 280 612 120	support hydraulic filter 3/4"	1
61	BH 280 212 010	filter element 3/4"	1
62	BY 717 212 012	oil reservoir	1
63	MPA 01 073 230	support oil reservoir	1
64	BH 802 012 250	o-ring Ø 12 x 2,5 mm	1
65	BH 518 500 400	blanking plug 1/4"	1



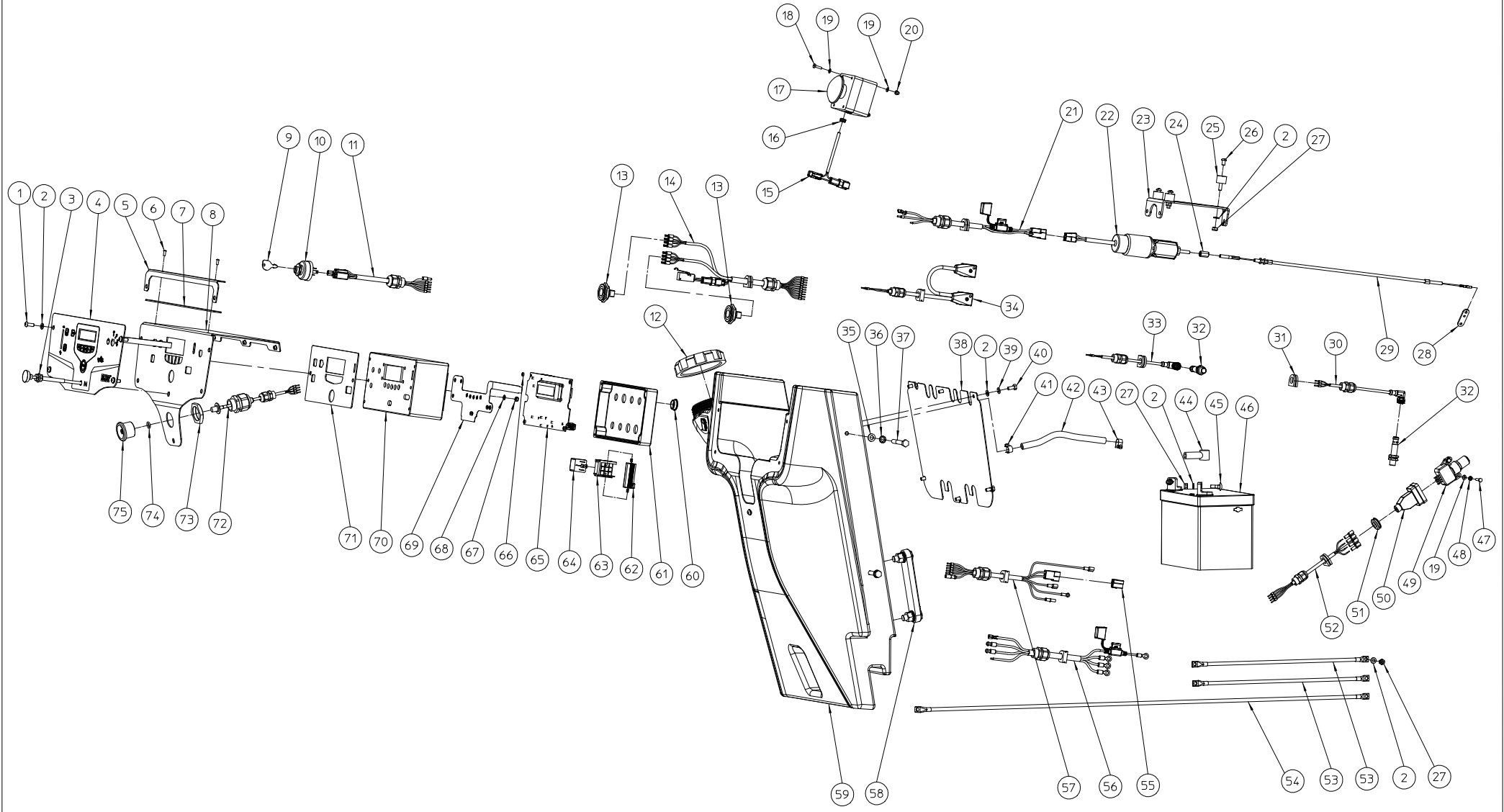
#	Order nr	article description	quantity
1	BS 531 001 000	washer m10 din 125	16
2	BS 534 001 000	lock washer m10 din 6798a	16
3	BS 512 001 025	bolt m10x25 din 933	12
4	BW 818 072 370	rubber track	2
5	MPA 01 070 900	protection left	1
6	MPA 01 073 410	steer right	1
7	BB 221 104 100	pop plug alu 3.9x10 din 7337 a	8
8	BR 910 000 010	nylon bushing with collar (25/30/34x30/15)	4
9	MPA 01 073 440	control pipe cross country	2
10	MPA 01 073 420	steer left	1
11	BS 502 000 800	self locking nut m8 din 985	6
12	BS 531 000 800	washer m8 din 125	9
13	BS 554 100 820	bolt m8x20 din 603	4
14	MPA 01 073 500	chassis sp 2015 cross country	1
15	BS 512 000 825	bolt m8x25 din 933	2
16	BQ 790 010 020	document holder 320 mm	1
17	MPA 01 070 970	square battery	1
18	BS 531 000 600	washer m6 din 125	4
19	BS 502 000 600	self locking nut m6 din 985	2
20	BS 512 000 616	bolt m6x16 din 933	2
21	BA 281 504 502	hub rear wheel Ø12,5mm	2
22	MPA 01 070 880	back wheel	2
23	BS 531 001 200	washer m12 din 125	22
24	BS 512 001 235	bolt m12x35 din 933	8
25	BS 512 001 255	bolt m12x150 din 933	2
26	BS 501 001 200	nut m12 din 934	2
27	MPA 01 071 030	washer	12
28	BL 002 505 203	bearing 6205 zz	12
29	MPA 01 071 040	axle idler	6
30	MPA 01 071 020	idler	6
31	MPA 01 071 000	tightener	2
32	BS 512 001 230	bolt m12x30 din 933	4
33	BS 534 001 200	lock washer m12 din 6798a	4
34	BS 511 001 244	bolt m12x60 din 931	8
35	BL 711 272 505	bearing ufc205	4
36	MPA 01 070 980	axle front wheel	2
37	MPA 01 070 890	front wheel	2
38	BS 502 001 200	self locking nut m12 din 985	8
39	BR 021 160 400	cap 60x40	2
40	MPA 01 070 990	protection right	1
41	BS 512 001 020	bolt m10x20 din 933	4





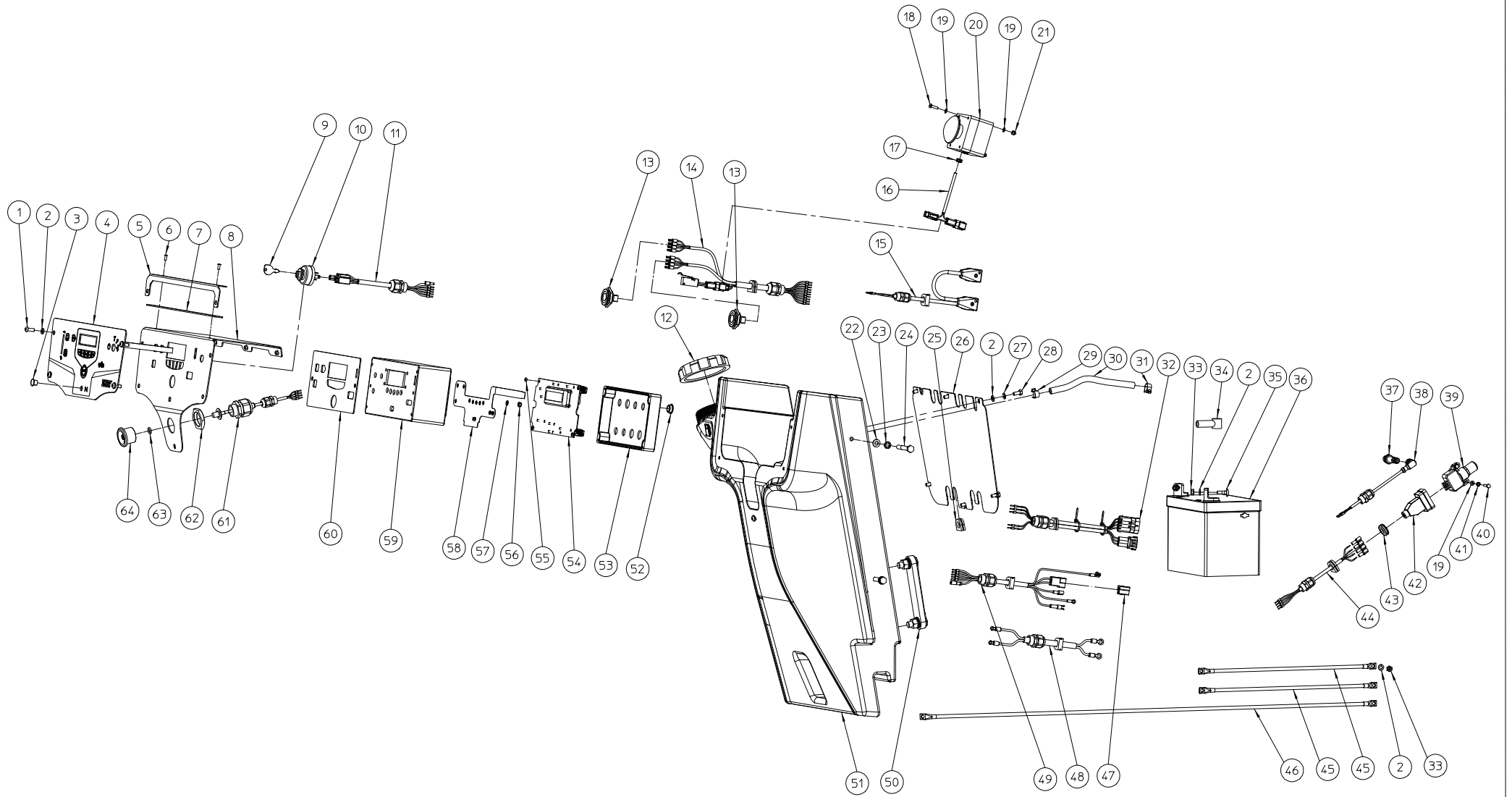
#	Order nr	article description	quantity
1	BS 512 000 816	bolt m8x16 din 933	4
2	BS 533 000 800	lock washer m8 din 127b	6
3	BS 531 000 800	washer m8 din 125	9
4	BH 812 180 300	o-ring Ø 18 x 3 mm viton	1
5	BH 509 251 009	male stud coupling 10lx1/2" hole 10	1
6	BH 720 704 112	filler cap	1
7	BS 512 000 820	bolt m8x20 din 933	4
8	BH 711 020 100	pipe clamp b-10mm	8
9	BH 710 003 010	clamp base - a	2
10	BS 511 000 646	bolt m6x70 din 931	2
11	MPA 01 074 150	hydraulic pipe (pump return)	1
12	BB 011 000 080	starlock 8mm	2
13	BR 111 080 300	nylon bushing (8,2/16x3)	2
14	BR 112 081 300	nylon bushing with collar (8/11/16x13/2)	2
15	MPA 01 073 860	link rod traction control cc	1
16	MPA 01 073 850	link rod traction control	1
17	BA 230 010 800	ball joint m8	2
18	BH 509 211 006	male stud coupling 10lx3/8"	10
19	BS 502 000 800	self locking nut m8 din 985	3
20	BH 400 401 310	hydraulic valve sd5-3	1
21	BS 554 100 844	bolt m8x60 din 603	3
22	BH 331 205 001		1
23	BH 551 040 800	flexible hydraulic hose 1/4"x800	1
24	BH 551 040 871	flexible hydraulic hose 1/4"x870	1
25	BH 551 040 480	flexible hydraulic hose 1/4"x480	1
26	BH 563 000 100	manometer coupler 10lxm16x2	1
27	BH 512 671 006	standpipe adaptor 10sr3/8"	1
28	BS 512 000 625	bolt m6x25 din 933	4
29	BH 210 103 200	hydraulic pump 3.2cc	1
30	BB 321 020 512	key 2x5x12.65 din 6888	1
31	BS 531 000 600	washer m6 din 125	4
32	BS 502 000 600	self locking nut m6 din 985	4
33	BS 501 000 700	nut m7 din 934	1
34	BT 134 280 608	messaging 3/8x1/2	1
35	BT 136 260 820	insert connector for hose 20x1/2	1
36	BT 670 117 290	hose clamp 17x29mm	4
37	BR 220 619 045	flexible suction pipe Ø19x450mm	1
38	BS 512 001 235	bolt m12x35 din 933	4
39	BH 331 525 000	hydraulic engine mr n 250 cd	2
40	BS 502 001 200	self locking nut m12 din 985	4
41	BS 532 008 356	washer m8x35x3	2
42	BS 534 000 800	lock washer m8 din 6798a	2
43	BB 351 080 735	key 8x7x35 din 6885a	2
44	BH 514 100 804	reduction stud (m-f) 1/2"-1/4"	4
45	BH 513 111 004	banjo 10lx1/4"	4
46	MPA 01 074 520		1
47	MPA 01 074 530		1
48	MPA 01 074 510		1
49	MPA 01 074 500		1
50	BT 136 261 219	adaptor Ø 19mm - 3/4"	2
51	BH 280 612 120	support hydraulic filter 3/4"	1
52	BH 280 212 010	filter element 3/4"	1

53	BR 220 619 018	flexible suction pipe Ø19x18cm	1
54	MPA 01 073 890	adaptor Ø 20mm - 1/2"	1
55	BH 812 345 350	o-ring 34,52 x 3,53 mm viton	1
56	BY 717 212 012	oil reservoir	1
57	MPA 01 073 230	support oil reservoir	1
58	BH 802 012 250	o-ring Ø 12 x 2,5 mm	1
59	BH 518 500 400	blanking plug 1/4"	1



#	Order nr	article description	quantity
1	BS 522 500 616	screw m6x16 iso 7380	5
2	BS 531 000 600	washer m6 din 125	17
3	BK 181 151 060	choke control	1
4	BE 700 021 100		1
5	MPA 01 073 880	set square control panel	1
6	BB 221 104 100	pop plug alu 3.9x10 din 7337 a	2
7	BR 900 001 700	extern isolation	1
8	MPA 01 073 400	control panel with eco - eye	1
9	BM 260 691 959	ignition key	1
10	BM 260 692 318	ignition switch	1
11	BE 099 000 602	cable ignition switch	1
12	BH 720 505 885	cap for tank	1
13	BE 120 081 420	control button	2
14	BE 099 000 606	cable control buttons	1
15	BE 099 000 611	cable emergency stop	1
16	BR 000 206 202	rubber grommets	2
17	BE 122 650 003	pressure button red with lock	1
18	BS 541 000 416	screw m4x16 din 84	4
19	BS 531 000 400	washer m4 din 125	10
20	BS 505 500 400	nut m4 din 1587	4
21	BE 099 000 603		1
22	BA 700 617 530		1
23	MPA 01 073 730		1
24	BS 508 200 618	nut m6x18	1
25	BR 600 220 150	antivibration blocks 20x15b m6x15	3
26	BS 522 500 610	screw m6x10 iso 7380	3
27	BS 502 000 600	self locking nut m6 din 985	6
28	MPA 01 073 740		1
29	BK 153 200 575	throttle cable (option eco-eye)	1
30	BE 099 004 411	cable sensor calibration sieves	1
31	BR 000 213 521	rubber grommets	1
32	BE 400 010 200	sensor	2
33	BE 099 000 607	cable sensor	1
34	BE 099 000 604	cable solenoid valve	1
35	BS 531 000 800	washer m8 din 125	4
36	BS 534 000 800	lock washer m8 din 6798a	4
37	BS 511 000 844	bolt m8x60 din 931	4
38	MPA 01 073 800	closure control panel	1
39	BS 533 000 600	lock washer m6 din 127b	6
40	BS 512 000 614	bolt m6x14 din 933	6
41	BT 670 111 130	hose clamp 11x13mm	1
42	BR 202 007 025		1
43	BT 670 109 110	hose clamp 9x11mm	1
44	BR 701 010 150	terminal cover	1
45	BS 554 100 620	bolt m6x20 din 603	2
46	BE 240 120 300	battery 12v 30ah	1
47	BS 512 000 420	bolt m4x20 din 933	2
48	BS 534 000 400	lock washer m4 din 6798a	2
49	BE 120 030 020	safety switch	1
50	BR 002 010 302	rubber cap cobo	1
51	BR 000 212 040	grommets 120/200/40	1
52	BE 099 000 605	cable rear safety interlock	1

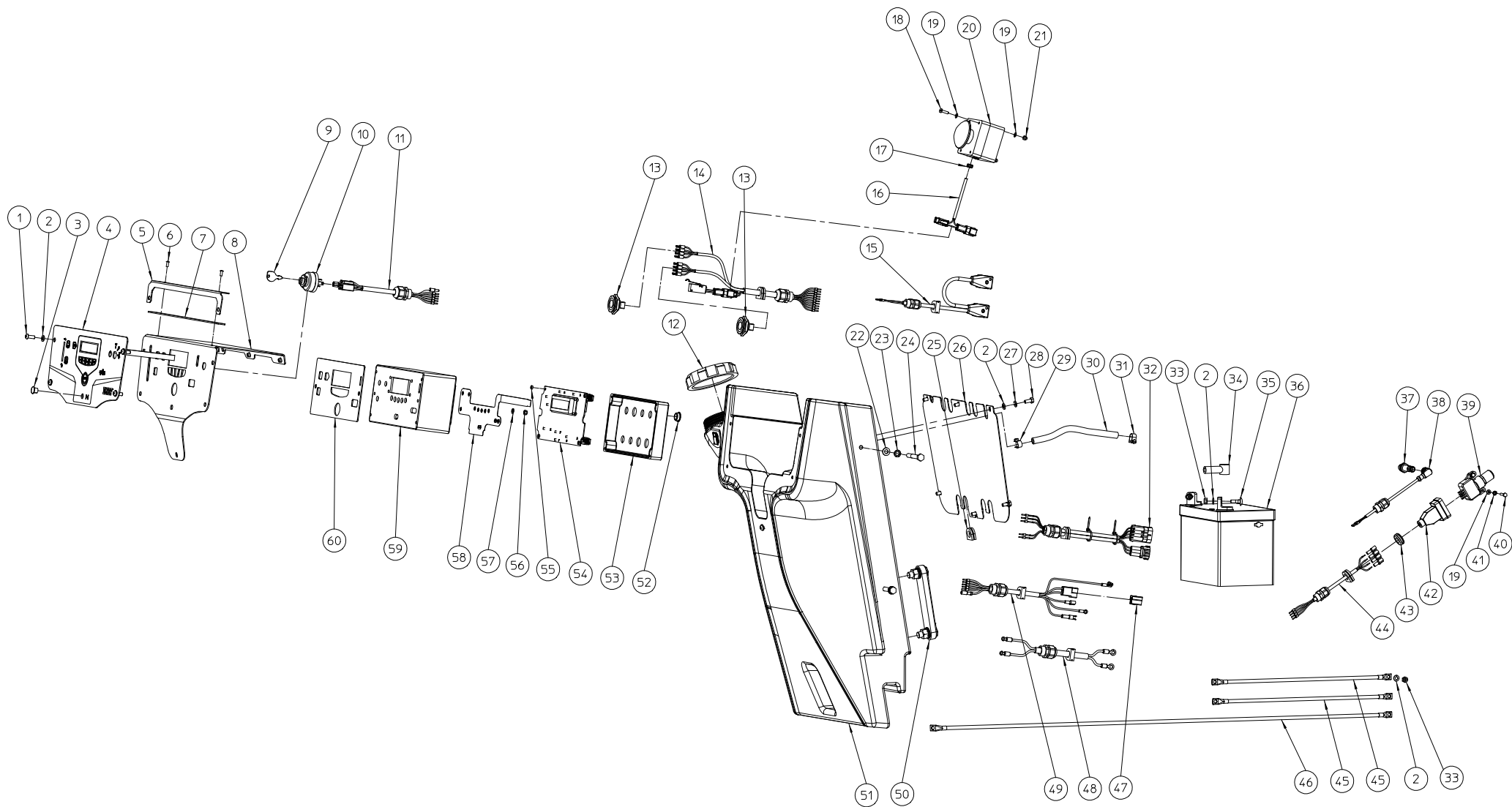
53	BE 090 180 371	black wire 16mm <sup>2</sup> - 370mm	2
54	BE 090 281 031	red wire 16mm <sup>2</sup> - 1030mm	1
55	BE 032 180 907	connector receptacle 2 positons cpc	1
56	BE 099 000 610		1
57	BE 099 000 601	engine cable	1
58	BH 730 404 005	level gauge 127 mm	1
59	BY 717 212 020	plastic tank zwart 20l	1
60	BE 071 042 002		1
61	BE 142 412 102	cover electrical bay	1
62	BE 600 150 000		1
63	BE 160 011 000	relay body (9 poles)	1
64	BE 160 013 000	reversing relay 12v	1
65	BE 700 023 000	pcb sp2015	1
66	BR 111 040 270		4
67	BS 502 000 500	self locking nut m5 din 985	2
68	BS 531 000 500	washer m5 din 125	2
69	BE 700 022 000	led print	1
70	BE 142 412 101	electrical bay	1
71	BR 900 001 690	isolation electrical bay	1
72	BE 099 000 608		1
73	BE 071 083 200	locknut m32	1
74	BH 802 009 260		1
75	MPA 01 073 710		1



#	Order nr	article description	quantity
1	BS 522 500 616	screw m6x16 iso 7380	5
2	BS 531 000 600	washer m6 din 125	14
3	BR 321 010 149	seal 10,5x14,8	1
4	BE 700 021 100		1
5	MPA 01 073 880	set square control panel	1
6	BB 221 104 100	pop plug alu 3.9x10 din 7337 a	2
7	BR 900 001 700	extern isolation	1
8	MPA 01 073 400	control panel with eco - eye	1
9	BM 260 691 959	ignition key	1
10	BM 260 692 318	ignition switch	1
11	BE 099 000 602	cable ignition switch	1
12	BH 720 505 885	cap for tank	1
13	BE 120 081 420	control button	2
14	BE 099 000 606	cable control buttons	1
15	BE 099 000 604	cable solenoid valve	1
16	BE 099 000 611	cable emergency stop	1
17	BR 000 206 202	rubber grommets	2
18	BS 541 000 416	screw m4x16 din 84	4
19	BS 531 000 400	washer m4 din 125	10
20	BE 122 650 003	pressure button red with lock	1
21	BS 505 500 400	nut m4 din 1587	4
22	BS 531 000 800	washer m8 din 125	4
23	BS 534 000 800	lock washer m8 din 6798a	4
24	BS 511 000 844	bolt m8x60 din 931	4
25	BR 000 213 521	rubber grommets	1
26	MPA 01 073 800	closure control panel	1
27	BS 533 000 600	lock washer m6 din 127b	6
28	BS 512 000 614	bolt m6x14 din 933	6
29	BT 670 111 130	hose clamp 11x13mm	1
30	BR 202 007 025		1
31	BT 670 109 110	hose clamp 9x11mm	1
32	BE 099 000 612		1
33	BS 502 000 600	self locking nut m6 din 985	3
34	BR 701 010 150	terminal cover	1
35	BS 554 100 620	bolt m6x20 din 603	2
36	BE 240 120 300	battery 12v 30ah	1
37	BE 400 010 200	sensor	1
38	BE 099 004 411	cable sensor calibration sieves	1
39	BE 120 030 020	safety switch	1
40	BS 512 000 420	bolt m4x20 din 933	2
41	BS 534 000 400	lock washer m4 din 6798a	2
42	BR 002 010 302	rubber cap cobo	1
43	BR 000 212 040	grommets 120/200/40	1
44	BE 099 000 605	cable rear safety interlock	1
45	BE 090 180 371	black wire 16mm <sup>2</sup> - 370mm	2
46	BE 090 281 031	red wire 16mm <sup>2</sup> - 1030mm	1
47	BE 032 180 907	connector receptacle 2 positons cpc	1
48	BE 099 000 609	cable power requirement	1
49	BE 099 000 613		1
50	BH 730 404 005	level gauge 127 mm	1
51	BY 717 212 020	plastic tank zwart 20l	1
52	BE 071 041 602		1

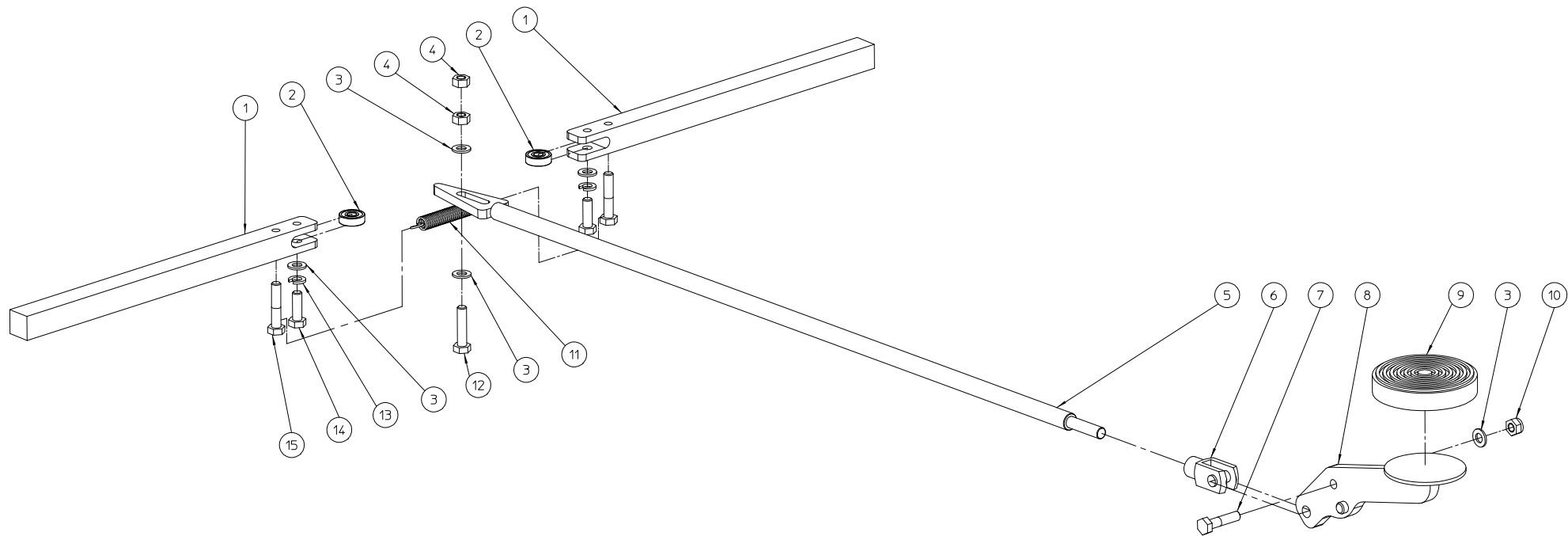


53	BE 142 412 102	cover electrical bay	1
54	BE 700 023 010		1
55	BR 111 040 270		4
56	BS 502 000 500	self locking nut m5 din 985	2
57	BS 531 000 500	washer m5 din 125	2
58	BE 700 022 000	led print	1
59	BE 142 412 101	electrical bay	1
60	BR 900 001 690	isolation electrical bay	1
61	BE 099 000 608		1
62	BE 071 083 200	locknut m32	1
63	BH 802 009 260		1
64	MPA 01 073 710		1



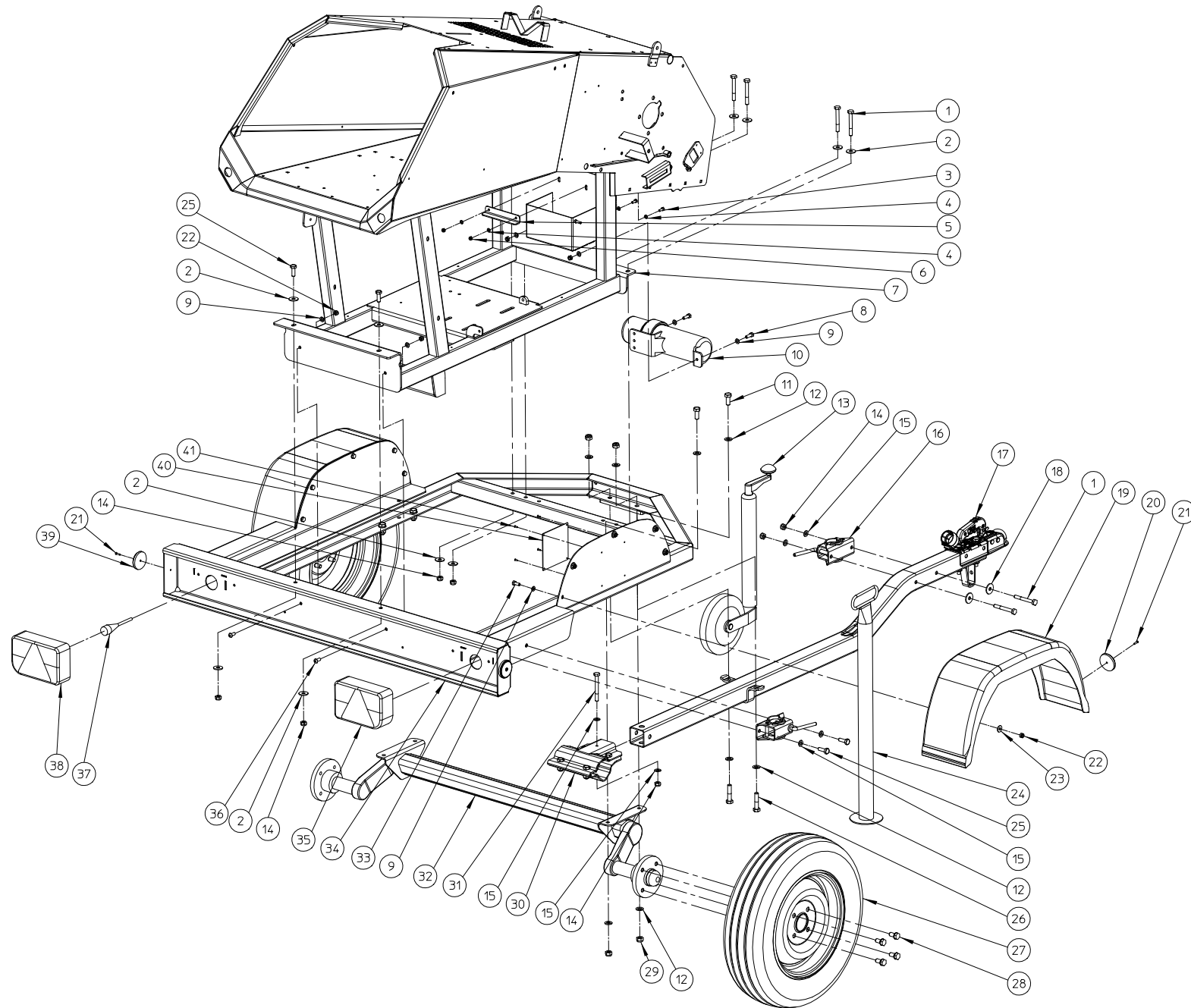
#	Order nr	article description	quantity
1	BS 522 500 616	screw m6x16 iso 7380	5
2	BS 531 000 600	washer m6 din 125	14
3	BR 321 010 149	seal 10,5x14,8	1
4	BE 700 021 100		1
5	MPA 01 073 880	set square control panel	1
6	BB 221 104 100	pop plug alu 3.9x10 din 7337 a	2
7	BR 900 001 700	extern isolation	1
8	MMA 01 073 371		1
9	BM 260 691 959	ignition key	1
10	BM 260 692 318	ignition switch	1
11	BE 099 000 602	cable ignition switch	1
12	BH 720 505 885	cap for tank	1
13	BE 120 081 420	control button	2
14	BE 099 000 606	cable control buttons	1
15	BE 099 000 604	cable solenoid valve	1
16	BE 099 000 611	cable emergency stop	1
17	BR 000 206 202	rubber grommets	2
18	BS 541 000 416	screw m4x16 din 84	4
19	BS 531 000 400	washer m4 din 125	10
20	BE 122 650 003	pressure button red with lock	1
21	BS 505 500 400	nut m4 din 1587	4
22	BS 531 000 800	washer m8 din 125	4
23	BS 534 000 800	lock washer m8 din 6798a	4
24	BS 511 000 844	bolt m8x60 din 931	4
25	BR 000 213 521	rubber grommets	1
26	MPA 01 073 800	closure control panel	1
27	BS 533 000 600	lock washer m6 din 127b	6
28	BS 512 000 614	bolt m6x14 din 933	6
29	BT 670 111 130	hose clamp 11x13mm	1
30	BR 202 007 025		1
31	BT 670 109 110	hose clamp 9x11mm	1
32	BE 099 000 612		1
33	BS 502 000 600	self locking nut m6 din 985	3
34	BR 701 010 150	terminal cover	1
35	BS 554 100 620	bolt m6x20 din 603	2
36	BE 240 120 300	battery 12v 30ah	1
37	BE 400 010 200	sensor	1
38	BE 099 004 411	cable sensor calibration sieves	1
39	BE 120 030 020	safety switch	1
40	BS 512 000 420	bolt m4x20 din 933	2
41	BS 534 000 400	lock washer m4 din 6798a	2
42	BR 002 010 302	rubber cap cobo	1
43	BR 000 212 040	grommets 120/200/40	1
44	BE 099 000 605	cable rear safety interlock	1
45	BE 090 180 371	black wire 16mm <sup>2</sup> - 370mm	2
46	BE 090 281 031	red wire 16mm <sup>2</sup> - 1030mm	1
47	BE 032 180 907	connector receptacle 2 positons cpc	1
48	BE 099 000 609	cable power requirement	1
49	BE 099 000 613		1
50	BH 730 404 005	level gauge 127 mm	1
51	BY 717 212 020	plastic tank zwart 20l	1
52	BE 071 041 602		1

53	BE 142 412 102	cover electrical bay	1
54	BE 700 023 020		1
55	BR 111 040 270		4
56	BS 502 000 500	self locking nut m5 din 985	2
57	BS 531 000 500	washer m5 din 125	2
58	BE 700 022 000	led print	1
59	BE 142 412 101	electrical bay	1
60	BR 900 001 690	isolation electrical bay	1



ELIET SP 2015 - BREAK SYSTEM					
NO	MMA 01 073 240	REV	1	DATE	2019/06/11

#	Order nr	article description	quantity
1	MPA 01 073 490	brake	2
2	BL 000 802 203	bearing ezo 608 zz	2
3	BS 531 000 800	washer m8 din 125	5
4	BS 501 000 800	nut m8 din 934	2
5	MPA 01 073 480	pressing rod brake	1
6	BS 556 001 000	fork m10x20 din 71752	1
7	BS 511 000 835	bolt m8x35 din 931	1
8	MPA 01 070 130	brake pedal	1
9	BR 900 000 110	rubber socks dia 90x18mm	1
10	BS 502 000 800	self locking nut m8 din 985	1
11	BV 923 000 060	spring	1
12	BS 512 000 835	bolt m8x35 din 933	1
13	BS 533 000 800	lock washer m8 din 127b	2
14	BS 512 000 825	bolt m8x25 din 933	2
15	BS 511 000 840	bolt m8x40 din 931	2

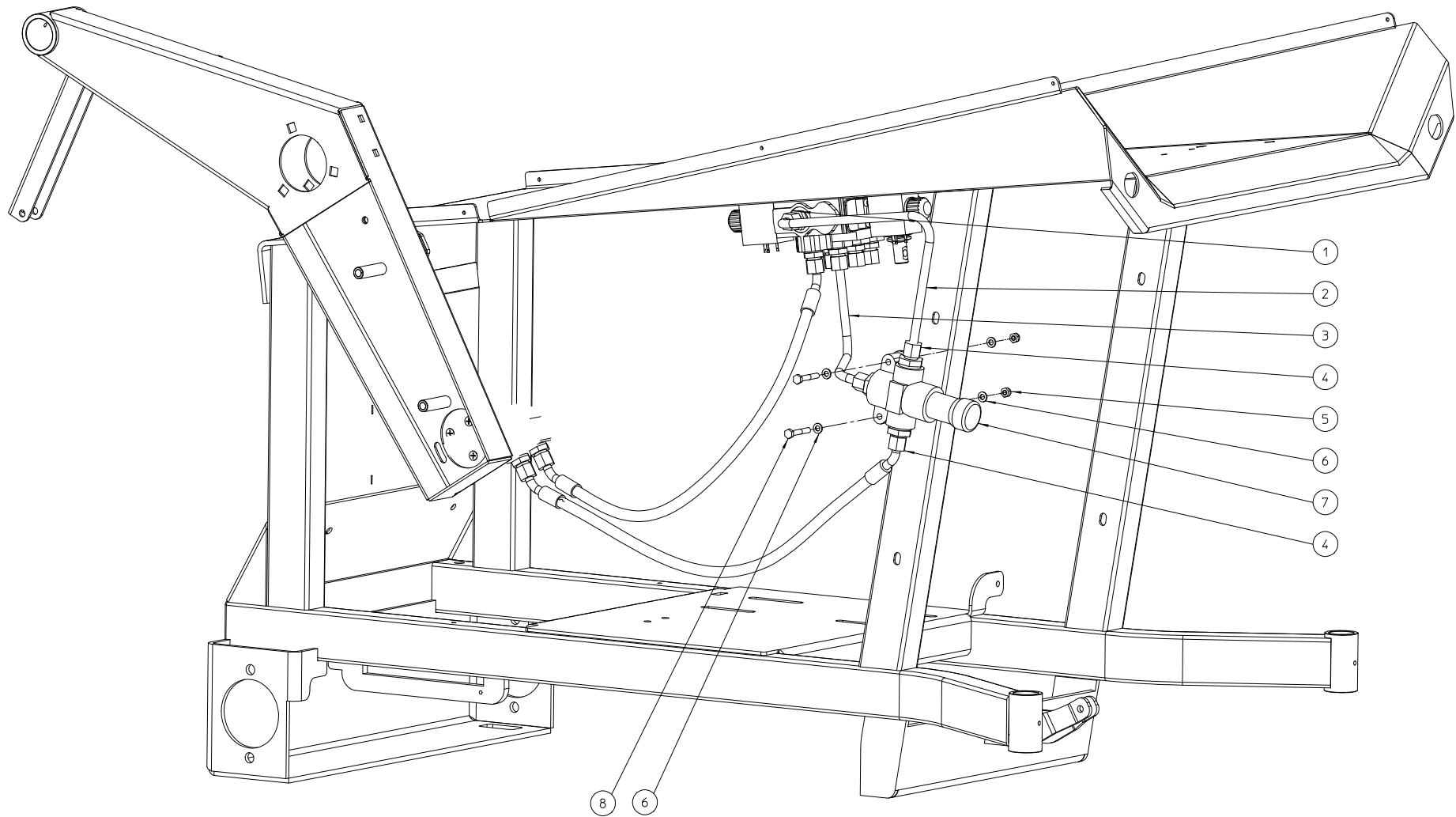


ELIET SP 2015 – TRAILER

NO	MMA 01 073 250	REV	2	DATE	2020/01/07
----	----------------	-----	---	------	------------

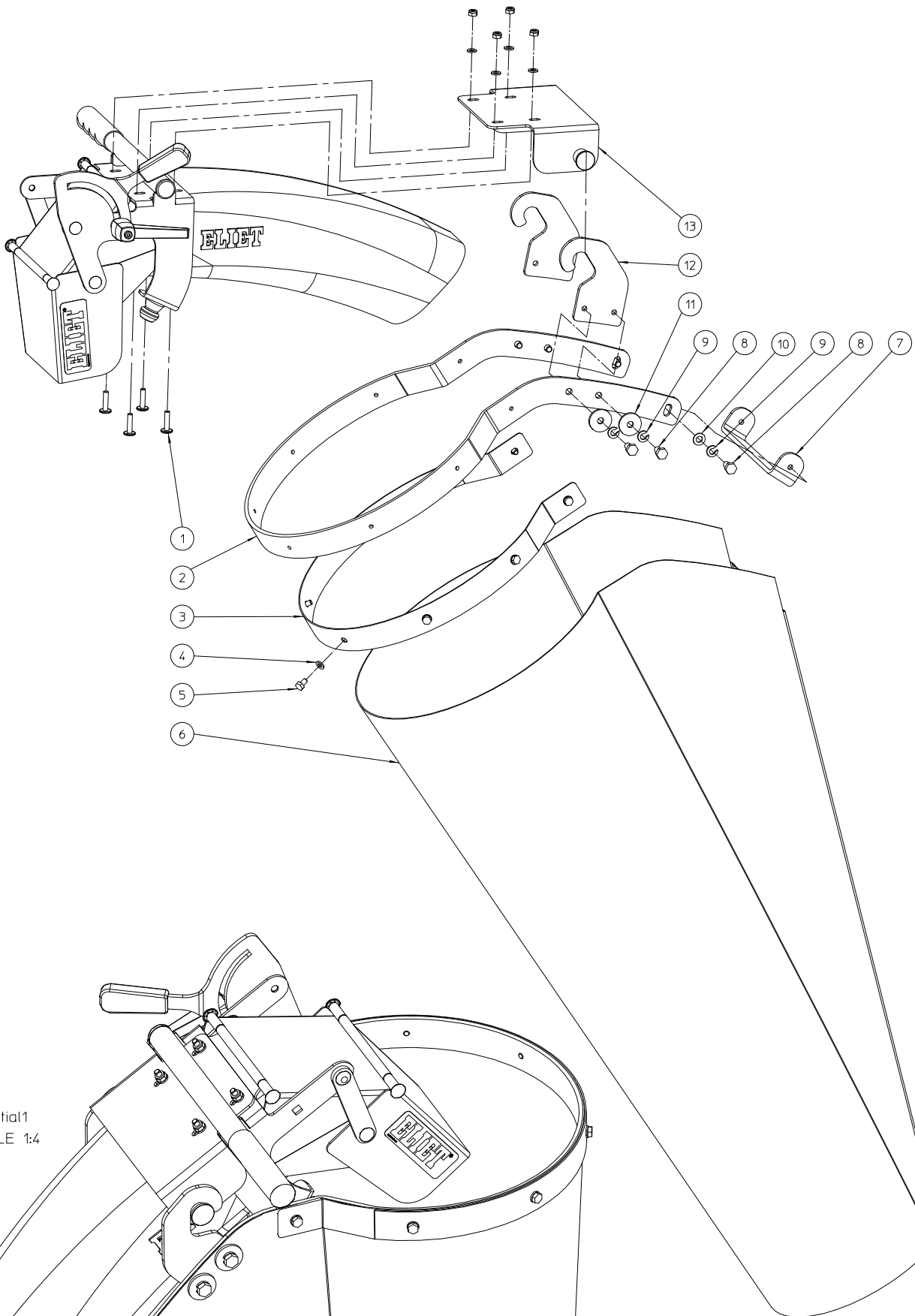
#	Order nr	article description	quantity
1	BS 511 001 048	bolt m10x80 din 931	6
2	BS 532 010 305	washer m10x30x2.5	12
3	BS 512 000 616	bolt m6x16 din 933	2
4	BS 531 000 600	washer m6 din 125	4
5	MPA 01 070 970	square battery	1
6	BS 502 000 600	self locking nut m6 din 985	2
7	MPA 01 074 050	chassis sp 2015 on road	1
8	BS 512 000 825	bolt m8x25 din 933	2
9	BS 531 000 800	washer m8 din 125	16
10	BQ 790 010 020	document holder 320 mm	1
11	BS 512 001 230	bolt m12x30 din 933	4
12	BS 531 001 200	washer m12 din 125	12
13	BY 727 000 100	support wheel	1
14	BS 502 001 000	self locking nut m10 din 985	11
15	BS 531 001 000	washer m10 din 125	8
16	BY 728 010 100	clamp support wheel	2
17	BY 709 601 004		1
18	BS 532 010 356	washer m10x35x3	2
19	BY 722 400 400	splash screen plastic 180/631 black	2
20	BY 708 112 010	round reflector white d60	2
21	BB 221 104 160	pop plug alu 3.9x16 din 7337 a	4
22	BS 502 000 800	self locking nut m8 din 985	14
23	BS 532 008 223	washer m8x22x1.5	10
24	BY 709 600 602	support pot 48 x 700mm	1
25	BS 512 001 030	bolt m10x30 din 933	4
26	BS 511 001 243	bolt m12x55 din 931	2
27	BW 054 055 000	kw 155/70r13c sec/4,0jx13/4/60/100et30 3 plies max437 kg	2
28	BS 512 301 220	bolt m12x1.5x20 din 961	8
29	BS 502 001 200	self locking nut m12 din 985	6
30	BY 709 601 100	klemverbinding asdissel	1
31	BS 511 001 049	bolt m10x90 din 931	1
32	BY 726 020 080		1
33	BS 512 000 820	bolt m8x20 din 933	10
34	MPA 01 074 030	chassis trailer	1
35	BY 707 120 502	backlight right	1
36	BS 522 500 820	screw m8x20 iso 7380	2
37	BY 707 120 503	cable 5m 7 pol	1
38	BY 707 120 501	backlight left	1
39	BY 708 122 010	reflector yellow 60mm screw	2
40	MPA 01 052 680	identification plate	1
41	BB 221 103 100	pop plug alu 3x10 din 7337 a	4





ELIET SP 2015 - FEED-IN SPEED VALVE				
NO	MMA 01 073 280	REV	1	DATE 2019/11/26

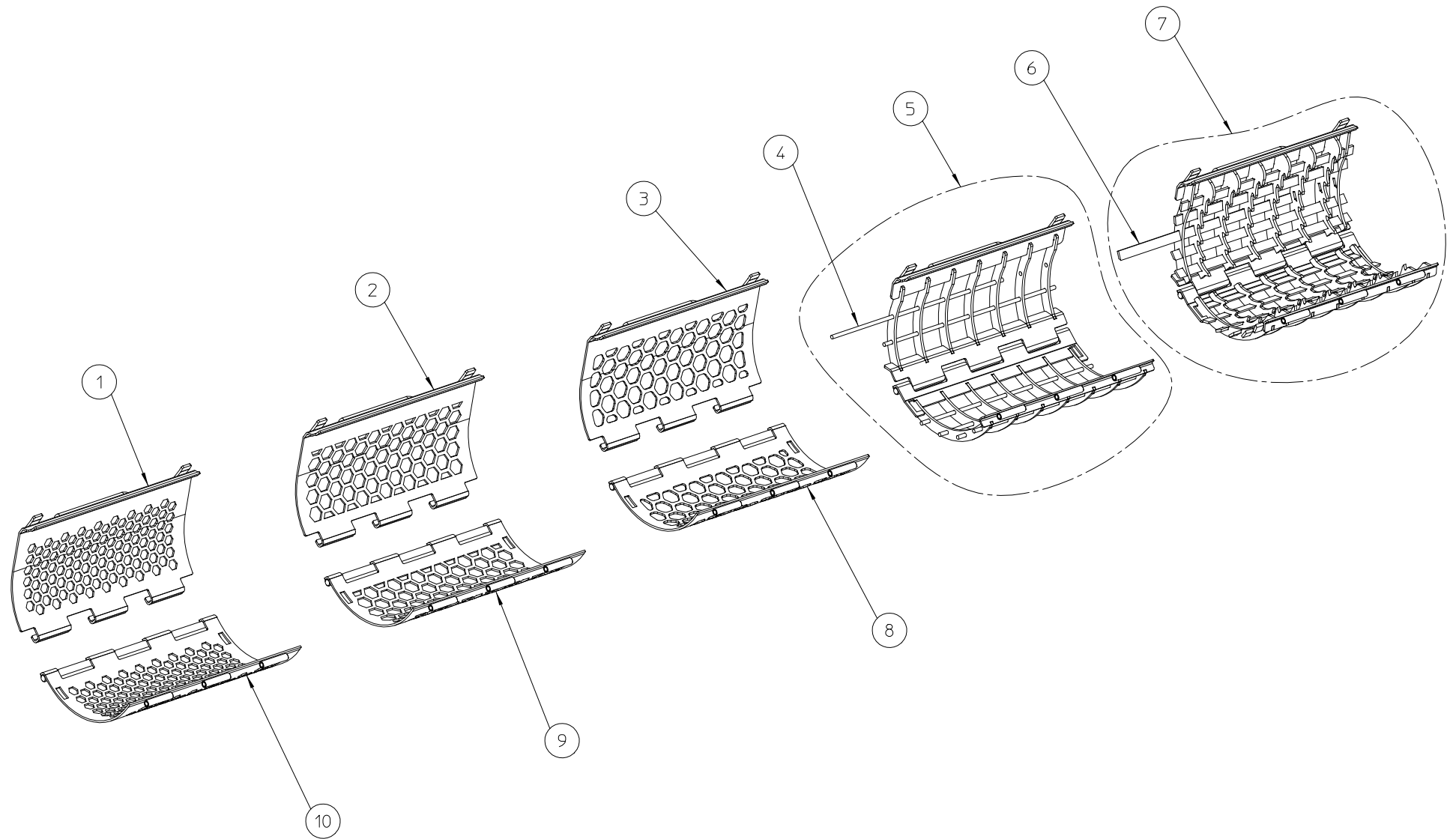
#	Order nr	article description	quantity
1	BH 509 211 006	male stud coupling 10lx3/8"	1
2	MPA 01 074 190		1
3	MPA 01 074 180		1
4	BH 509 221 022	male stud coupling 10lxm22	3
5	BS 502 000 600	self locking nut m6 din 985	2
6	BS 531 000 600	washer m6 din 125	4
7	BH 430 012 200	speed controller mtkavar	1
8	BS 511 000 640	bolt m6x40 din 931	2



Partial1  
SCALE 1:4

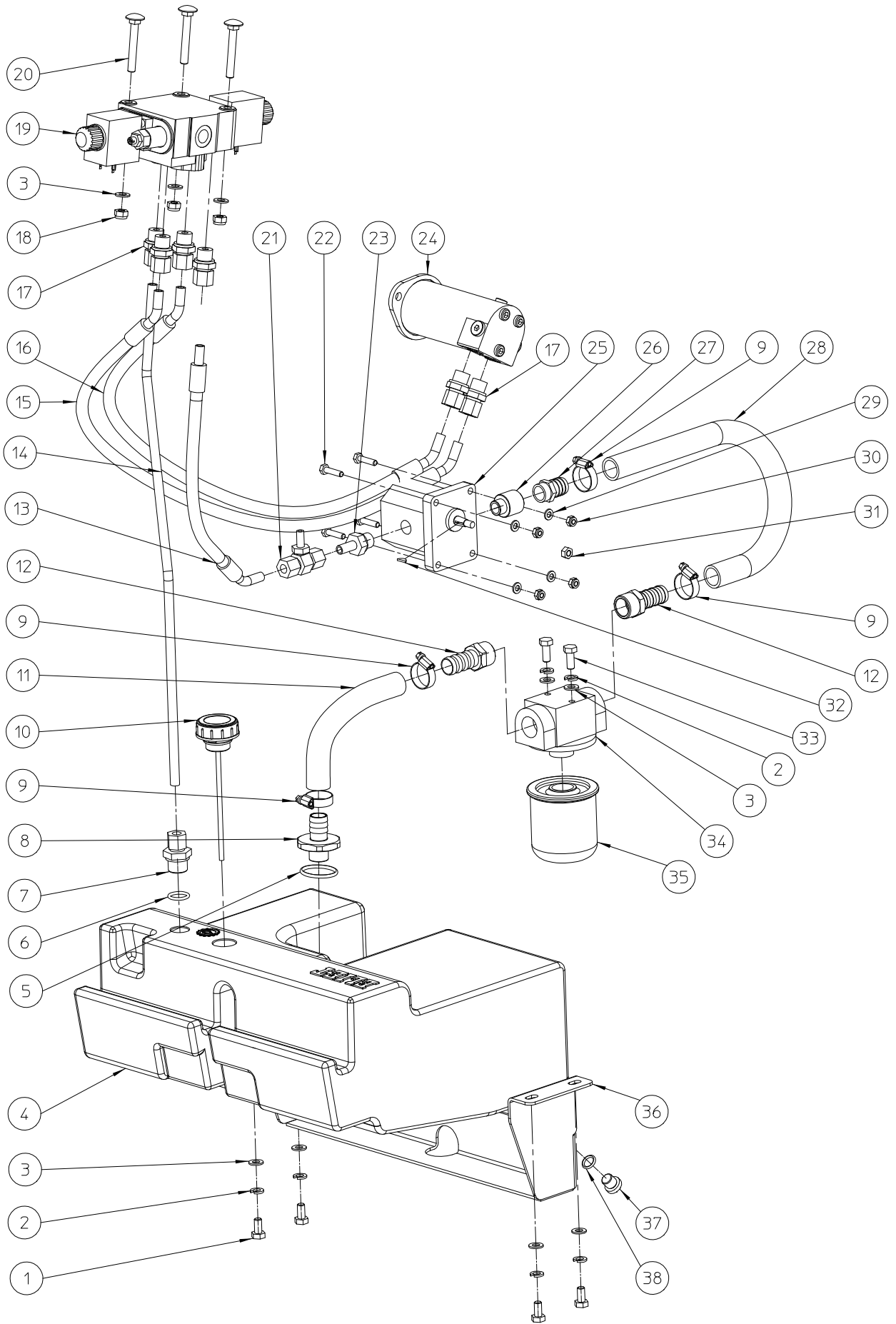
ELIET SP 2015 – COLLECTING BAG					
NO	MMA 01 073 310	REV	1	DATE	2021/02/17

#	Order nr	article description	quantity
1	BS 552 100 625	screw m6x25 type kf	4
2	MPA 01 074 330	support discharge collecting	1
3	MPA 01 074 420		1
4	BS 531 000 600	washer m6 din 125	8
5	BS 512 000 610	bolt m6x10 din 933	8
6	BQ 348 006 010	discharge collecting bag	1
7	MPA 01 074 350	support discharge collecting	1
8	BS 512 000 816	bolt m8x16 din 933	6
9	BS 533 000 800	lock washer m8 din 127b	6
10	BS 531 000 800	washer m8 din 125	2
11	BS 532 008 306	washer m8x30x3	4
12	MPA 01 074 340	hook discharge collecting	2
13	MPA 01 074 320	support discharge collecting	1



ELIET SP 2015 – CALIBRATION SCREENS				
NO	MMA 01 073 320	REV	1	DATE 2021/02/17

#	Order nr	article description	quantity
1	MA 029 001 015		1
2	MA 029 001 008		1
3	MA 029 001 010		1
4	MPA 01 060 860	driving plate right	0
5	MA 029 001 011		1
6	MPA 01 074 410		0
7	MA 029 001 013		1
8	MA 029 001 009		1
9	MA 029 001 007		1
10	MA 029 001 014		1



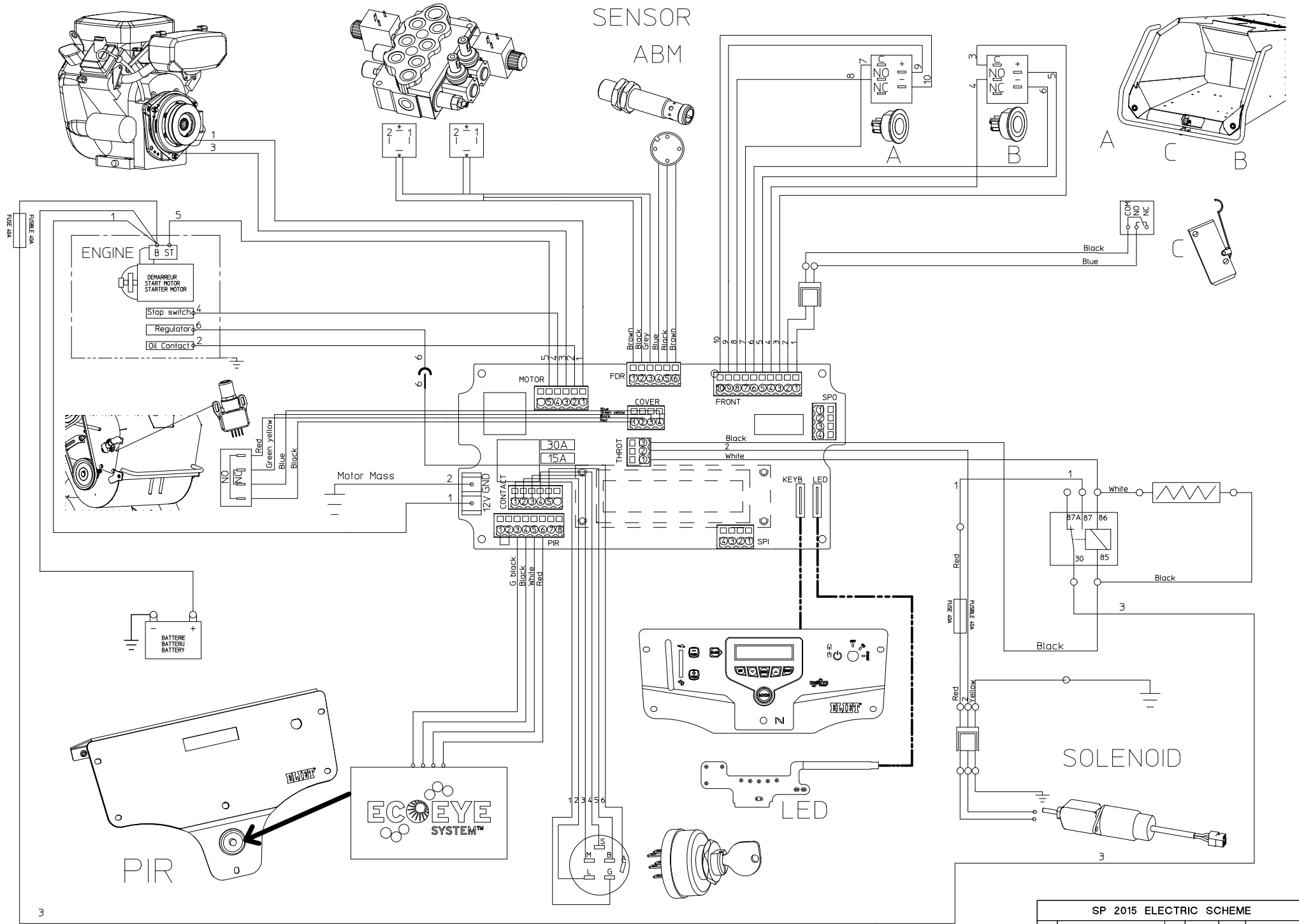
**ELIET SP 2015 – HYDRAULIC SYST. TRAILER**

NO	MMA 01 073 330	REV	1	DATE	2021/01/04
----	----------------	-----	---	------	------------

#	Order nr	article description	quantity
1	BS 512 000 816	bolt m8x16 din 933	4
2	BS 533 000 800	lock washer m8 din 127b	6
3	BS 531 000 800	washer m8 din 125	9
4	BY 717 212 012	oil reservoir	1
5	BH 812 345 350	o-ring 34,52 x 3,53 mm viton	1
6	BH 812 180 300	o-ring Ø 18 x 3 mm viton	1
7	BH 509 251 009	male stud coupling 10x1/2" hole 10	1
8	MPA 01 073 890	adaptor Ø 20mm - 1/2"	1
9	BT 670 117 290	hose clamp 17x29mm	4
10	BH 720 704 112	filler cap	1
11	BR 220 619 018	flexible suction pipe Ø19x18cm	1
12	BT 136 261 219	adaptor Ø 19mm - 3/4"	2
13	BH 551 040 480	flexible hydraulic hose 1/4"x480	1
14	MPA 01 074 150	hydraulic pipe (pump return)	1
15	BH 551 040 871	flexible hydraulic hose 1/4"x870	1
16	BH 551 040 800	flexible hydraulic hose 1/4"x800	1
17	BH 509 211 006	male stud coupling 10x3/8"	6
18	BS 502 000 800	self locking nut m8 din 985	3
19	BH 400 401 110	hydraulic valve sd5-1	1
20	BS 554 100 844	bolt m8x60 din 603	3
21	BH 563 000 100	manometer coupler 10lxm16x2	1
22	BS 512 000 625	bolt m6x25 din 933	4
23	BH 512 671 006	standpipe adaptor 10sr3/8"	1
24	BH 331 205 001		1
25	BH 210 103 200	hydraulic pump 3.2cc	1
26	BT 134 280 608	messaging 3/8x1/2	1
27	BT 136 260 820	insert connector for hose 20x1/2	1
28	BR 220 619 045	flexible suction pipe Ø19x450mm	1
29	BS 531 000 600	washer m6 din 125	4
30	BS 502 000 600	self locking nut m6 din 985	4
31	BS 501 000 700	nut m7 din 934	1
32	BB 321 020 512	key 2x5x12.65 din 6888	1
33	BS 512 000 820	bolt m8x20 din 933	2
34	BH 280 612 120	support hydraulic filter 3/4"	1
35	BH 280 212 010	filter element 3/4"	1
36	MPA 01 073 230	support oil reservoir	1
37	BH 518 500 400	blanking plug 1/4"	1
38	BH 802 012 250	o-ring Ø 12 x 2,5 mm	1

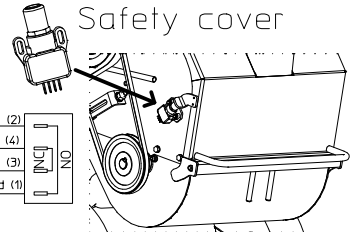
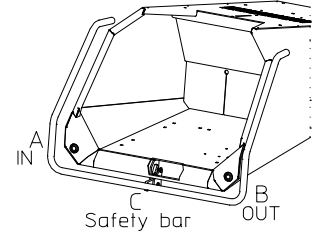
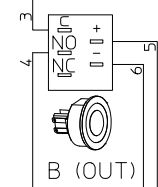
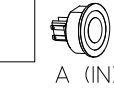
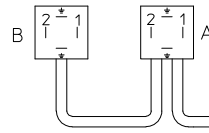
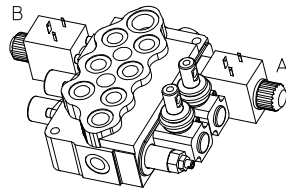
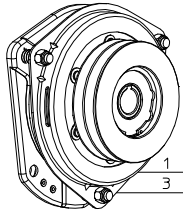


# SENSOR ABM

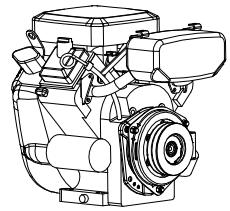


#	Order nr	article description	quantity
0	BE 900 073 010	electric scheme sp2015	0

CLUTCH



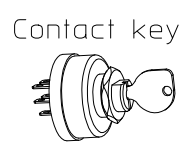
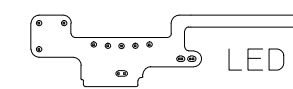
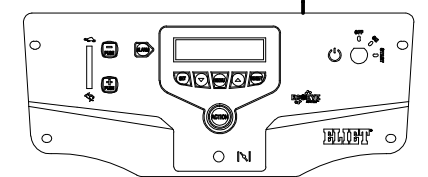
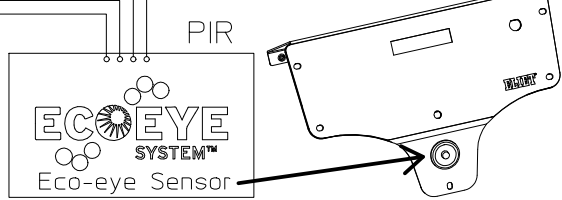
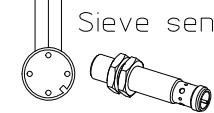
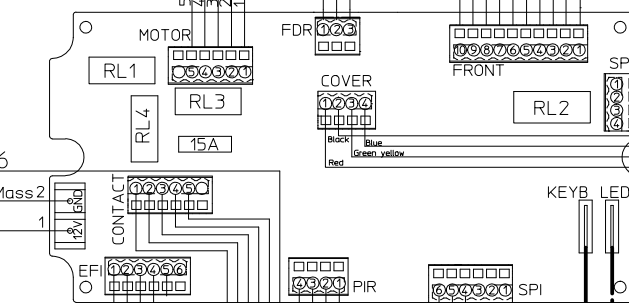
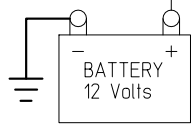
ENGINE MOTOR EFI



- Oil Contact 2
- Stop switch 4
- Regulator 6



Electronic Fuel Injection



SUPER-PROF EFI - ELECTRICAL DIAGRAM					
NO	BE 900 073 020	REV	1	DATE	2019/03/18

#	Order nr	article description	quantity
0	BE 900 073 020	electric scheme sp2015	0